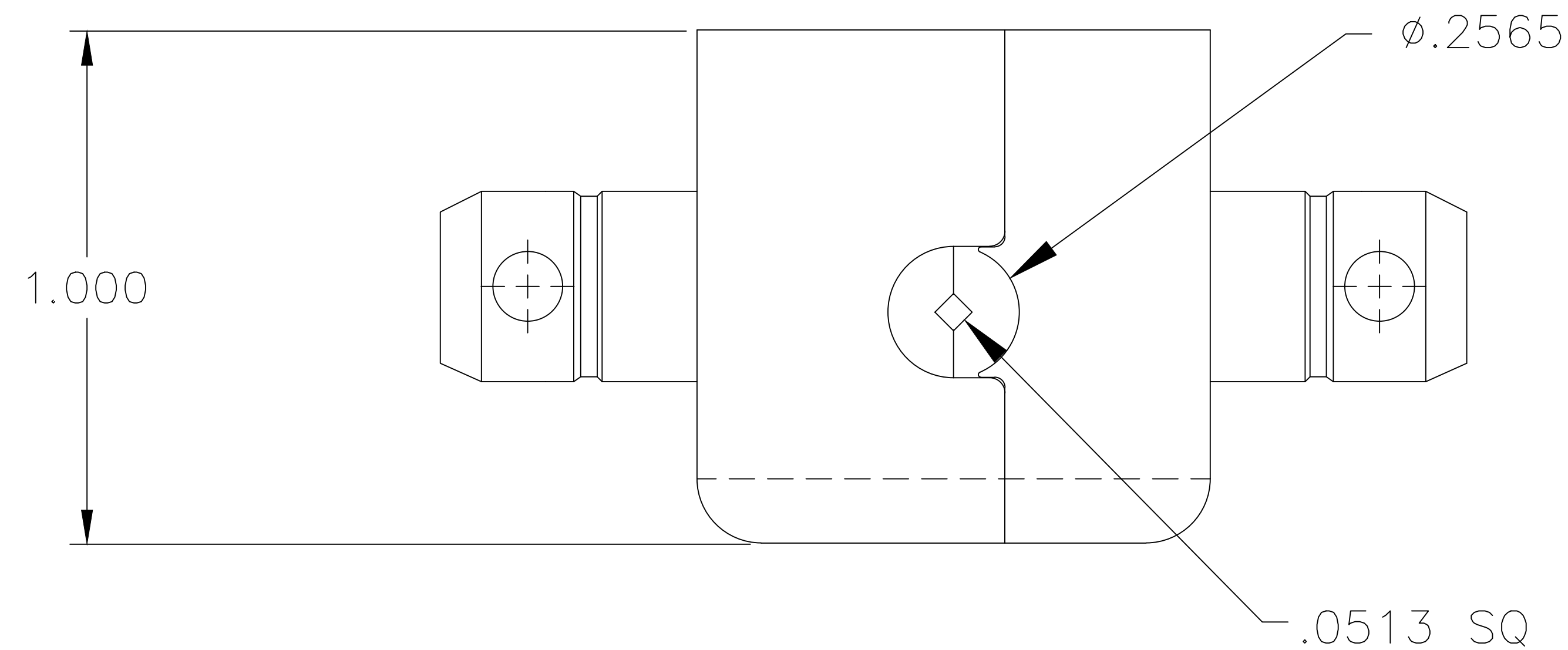
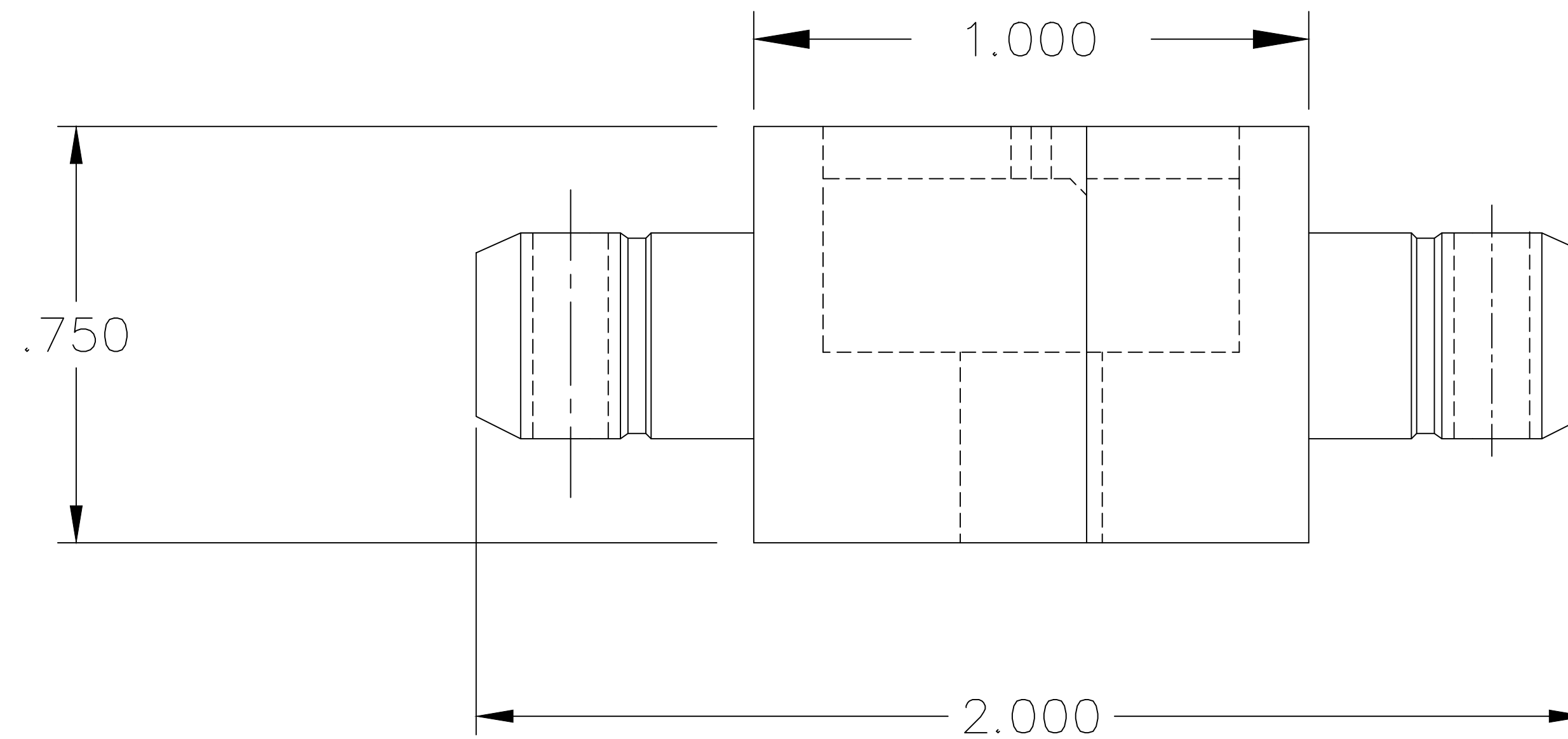


REVISIONS				
REV. SYM.	E.C.O. NUMBER	DESCRIPTION	BY DATE	APP'D DATE
1		ORIGINAL RELEASE	JWJ 8/3/06	RRR 8/3/06



**UNCONTROLLED DOCUMENT
WILL NOT BE UPDATED**

1. AMP EQUIVALENT 69425.

NOTES:

RESTRICTED & CONFIDENTIAL		MATERIAL		ITEM	PART NO.	QTY.	DESCRIPTION/REMARKS			
CONFIDENTIAL PROPERTY OF DANIELS MANUFACTURING CORP. NOT TO BE DISCLOSED TO OTHERS, REPRODUCED OR USED FOR ANY OTHER PURPOSE, EXCEPT AS AUTHORIZED IN WRITING BY DANIELS MANUFACTURING. MUST BE RETURNED TO DANIELS MANUFACTURING CORP. ON COMPLETION OF ORDER OR OTHER PURPOSE FOR WHICH SENT.		HEAT TREAT		DRN.	J. JOYCE	DATE	8/3/06			
				CHK'D.	RRR	DATE	8/3/06			
				APP'D.		DATE				
DO NOT SCALE DRAWING		FINISH		APP'D.		DATE				
				NOTE:		TITLE		WHERE USED:		
				THIS DRAWING IS AN OUTLINE DRAWING OF THE RESPECTIVE DMC PART NUMBER INDICATED. ACTUAL DMC PART NUMBER IS DRAWING NUMBER WITHOUT THE "-ENV" SUFFIX.		DIE SET ENVELOPE DRAWING		SIZE	SCALE	CAD FILE NO
						B	NTS	Y740-ENV	1	1
						POSTING	DWG. NO. Y740-ENV		REV.	1

