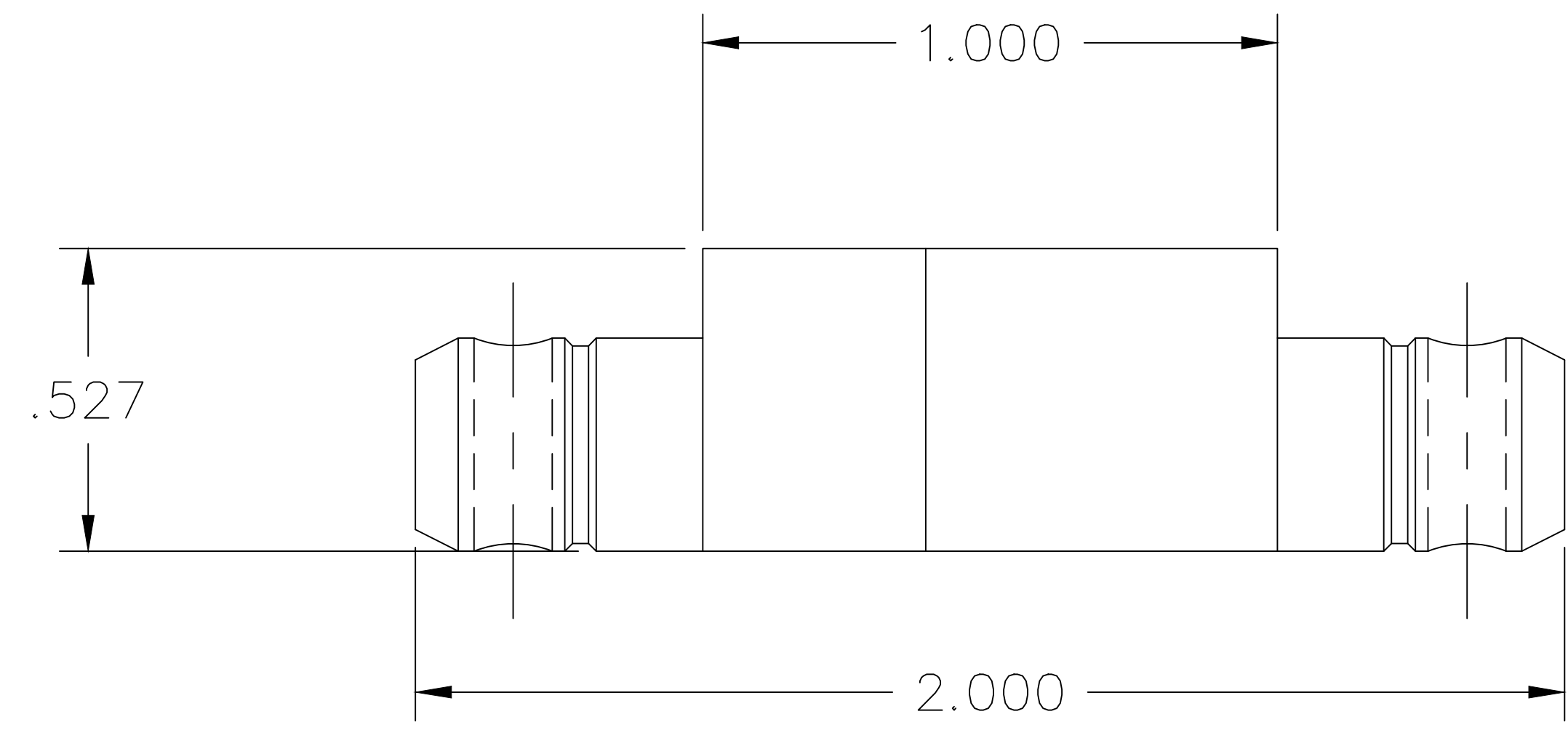
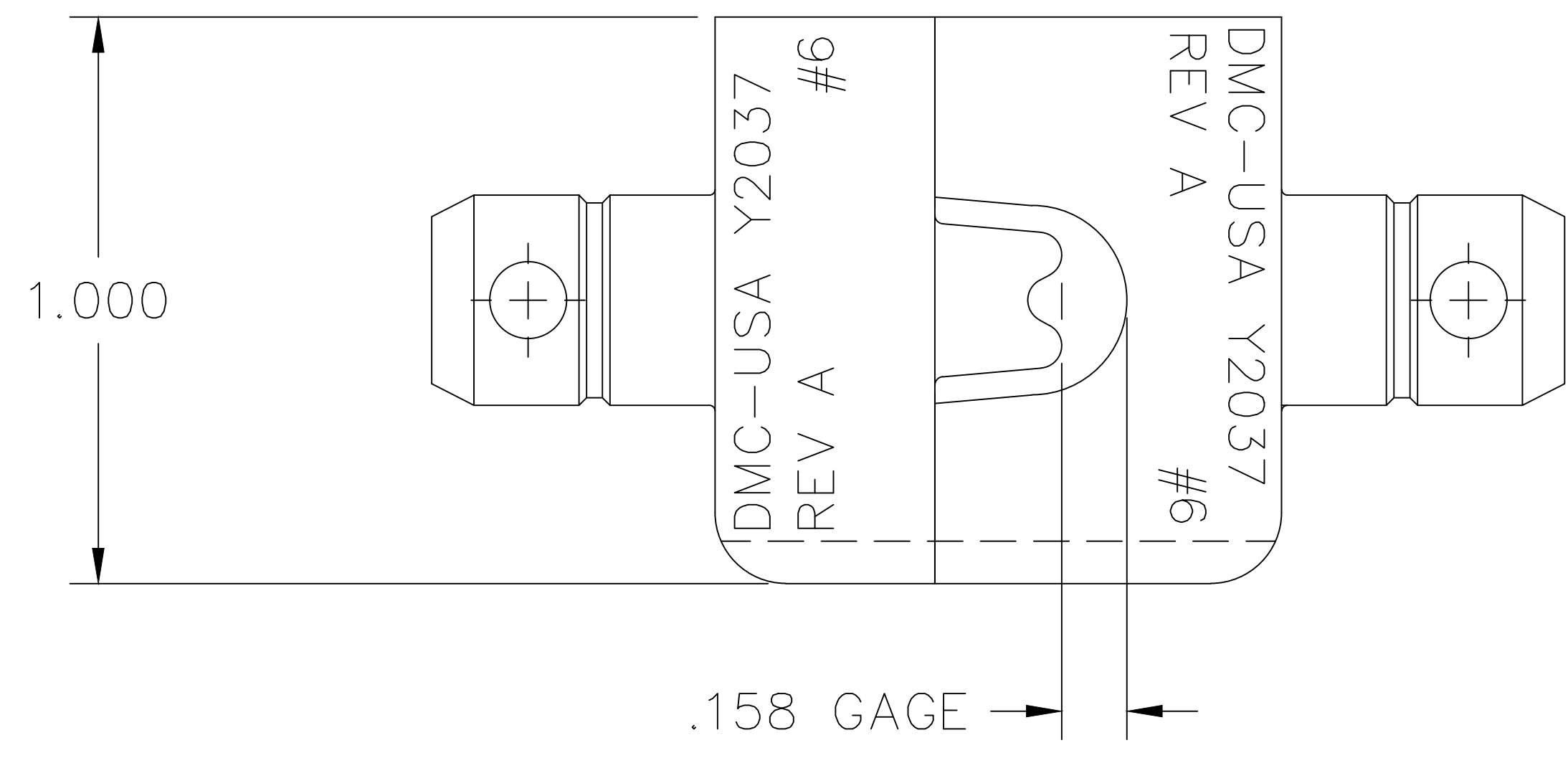


REVISIONS				
REV. SYM.	E.C.O. NUMBER	DESCRIPTION	BY DATE	APP'D DATE
2		UPDATED GAGING	ENF 5-31-11	D.E. 5-31-11



**UNCONTROLLED DOCUMENT  
WILL NOT BE UPDATED**

DIMENSIONS IN INCHES - UNLESS OTHERWISE SPECIFIED



1. USED FOR BRAID CRIMP INTO #6 UNINSULATED TERMINALS.

NOTES:

<b>RESTRICTED &amp; CONFIDENTIAL</b>  CONFIDENTIAL PROPERTY OF DANIELS MANUFACTURING CORP. NOT TO BE DISCLOSED TO OTHERS, REPRODUCED OR USED FOR ANY OTHER PURPOSE, EXCEPT AS AUTHORIZED IN WRITING BY DANIELS MANUFACTURING. MUST BE RETURNED TO DANIELS MANUFACTURING CORP. ON COMPLETION OF ORDER OR OTHER PURPOSE FOR WHICH LENT.	MATERIAL		ITEM	PART NO.	QTY.	DESCRIPTION/REMARKS					
	HEAT TREAT		DRN.	E. DIAZ	DATE	DANIELS MANUFACTURING CORP. ORLANDO, FLORIDA CAGE 11851					
			CHK'D.		DATE						
	FINISH		APP'D.	B.V.	DATE	TITLE  DIE SET ENVELOPE DRAWING					
APP'D.				DATE							
DO NOT SCALE DRAWING		NOTE: THIS DRAWING IS AN OUTLINE DRAWING OF THE RESPECTIVE DMC PART NUMBER INDICATED. ACTUAL DMC PART NUMBER IS DRAWING NUMBER WITHOUT THE "-ENV" SUFFIX.		WHERE USED:							
		SIZE	B	SCALE	2X	CAD P/N	Y2037-ENV	SHEET	1	OF	1
		POSTING		DWG. NO.	Y2037-ENV	REV.	2				