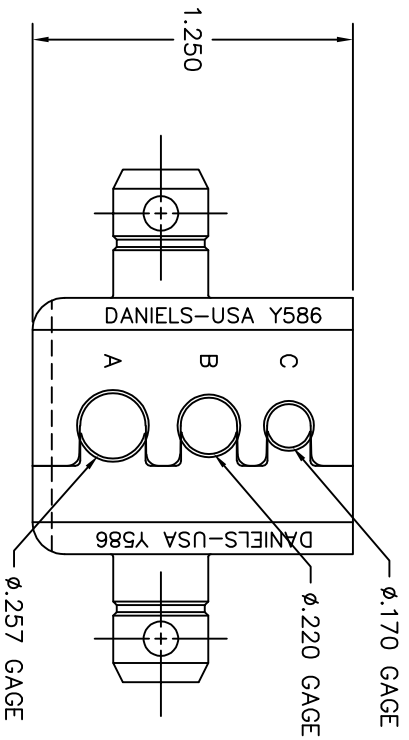
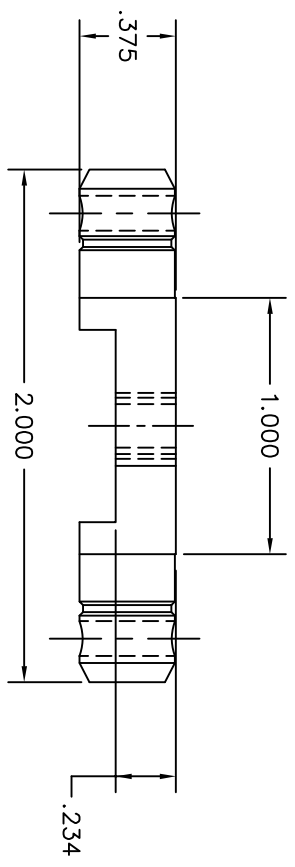


REVISIONS				
REV. NUMBER	E.C.O. NUMBER	DESCRIPTION	BY DATE	APP'D DATE
1		ORIGINAL RELEASE	JML 9/9/00	RRR 9/9/00
2		ADDED NOTES 1 & 2	H. DAVID 10/14/24	



**UNCONTROLLED DOCUMENT
WILL NOT BE UPDATED**

1. FUNCTIONAL EQUIVALENT TO AMP 220066-1.
2. FUNCTIONAL EQUIVALENT TO CAVITIES A, B, C OF AMP 220066-2.

NOTES:

RESTRICTED & CONFIDENTIAL CONFIDENTIAL PROPERTY OF DANIELS MANUFACTURING CORP. NOT TO BE DISCLOSED TO OTHERS, REPRODUCED OR USED FOR ANY OTHER PURPOSE, EXCEPT AS AUTHORIZED IN WRITING BY DANIELS MANUFACTURING MANUFACTURING CORP. ON COMPLETION OF ORDER OR OTHER PURPOSE FOR WHICH LENT.		MATERIAL		HEAT TREAT		FINISH	
		DO NOT SCALE DRAWING					
ITEM	PART NO.	QTY.	DESCRIPTION/REMARKS				
DRN. J. JOYCE CHK'D. RRR APP'D.	DATE 8/9/00 DATE 9/9/00 DATE		DANIELS MANUFACTURING CORP. ORLANDO, FLORIDA GAGE 11851				
NOTE: THIS DRAWING IS AN OUTLINE DRAWING OF THE RESPECTIVE DIE PART NUMBER AND PART NUMBER IS DRAWING NUMBER WITHOUT THE "-ENV" SUFFIX.		WHERE USED: SIZE SCALE B 2X POSTING		CAD P/N Y586-ENV		SHEET 1 OF 1	
		DIE SET ENVELOPE DRAWING		DWG. NO. Y586-ENV		REV. 1	