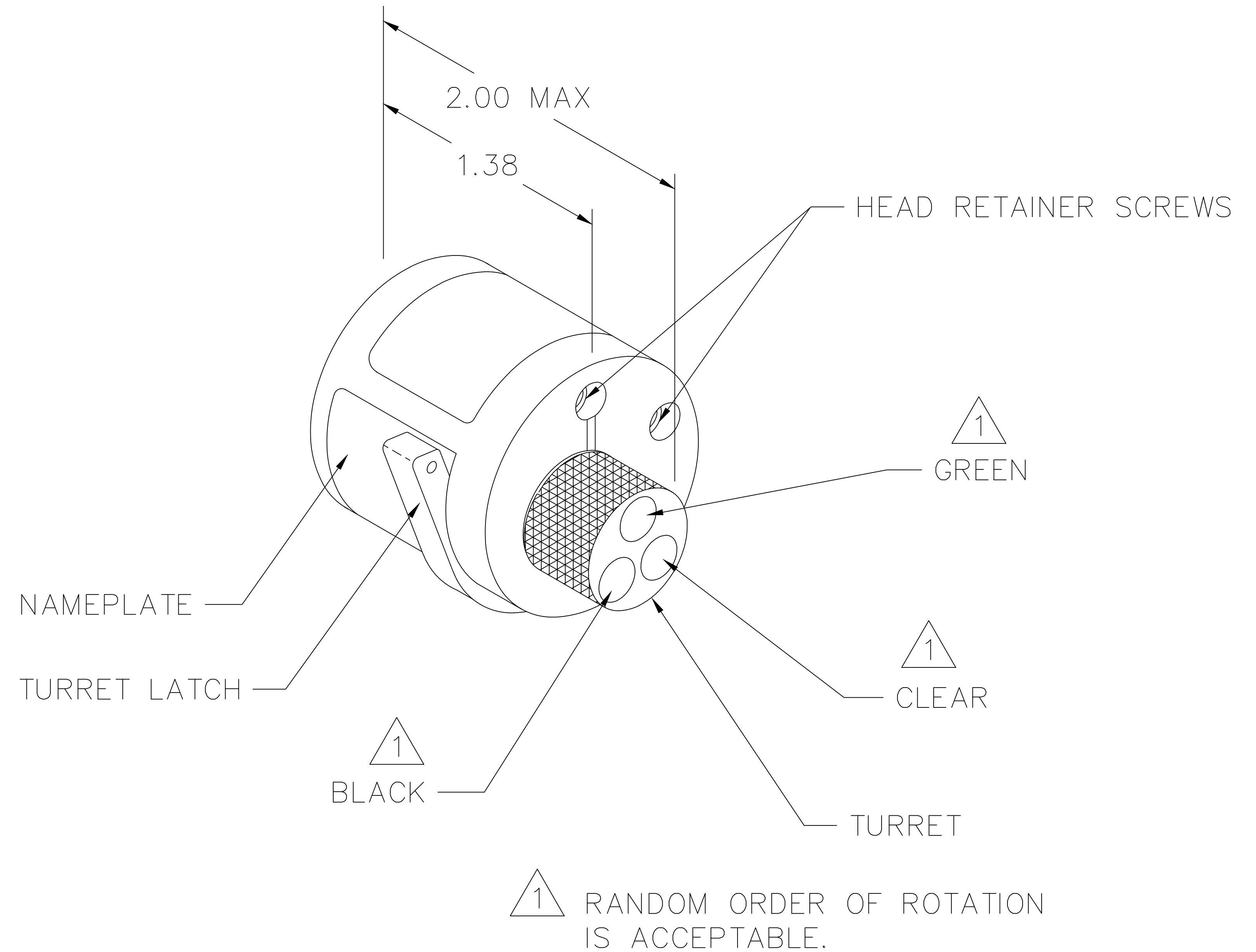
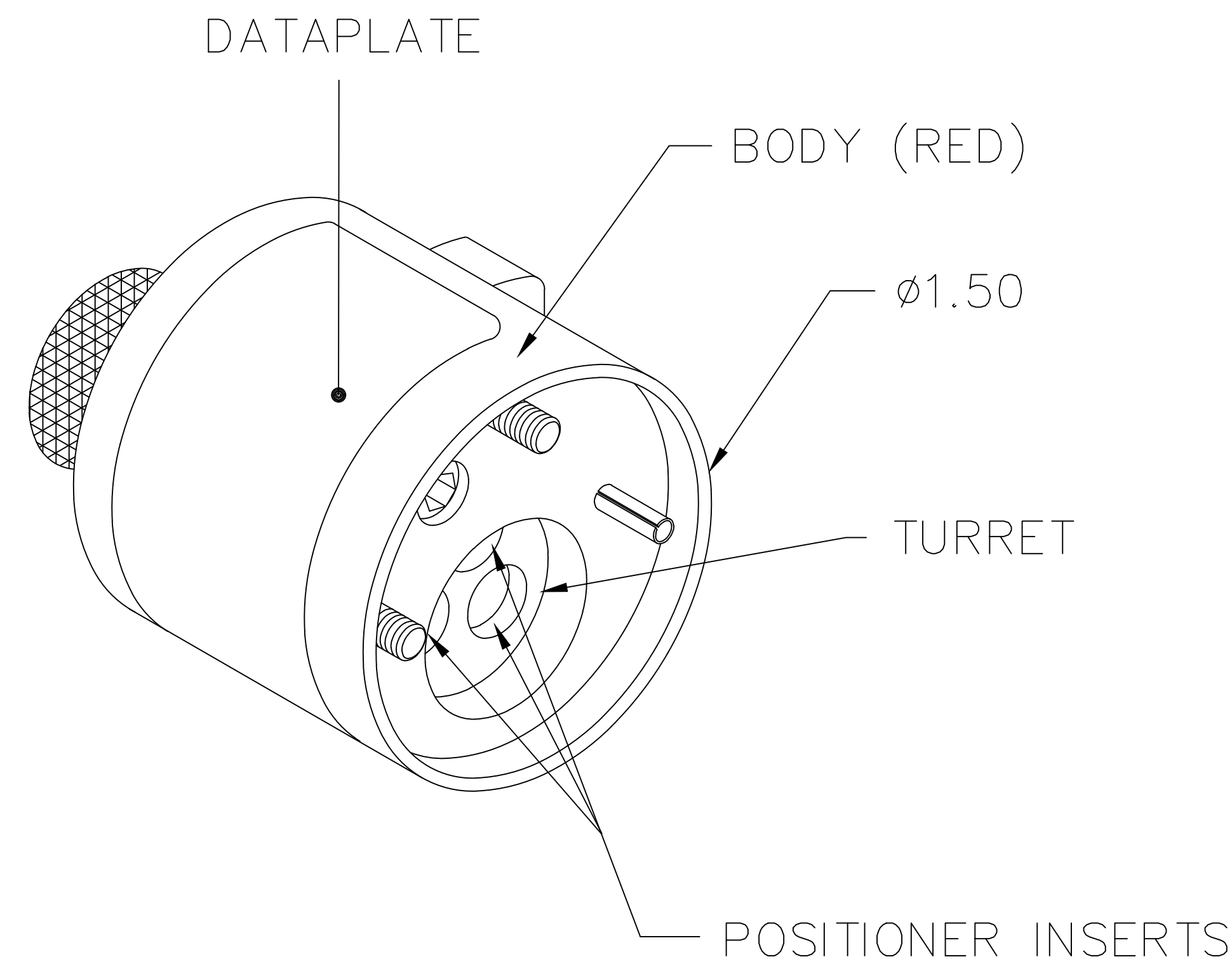



REVISIONS				
REV. SYM.	E.C.O. NUMBER	DESCRIPTION	BY DATE	APP'D DATE
1		ORIGINAL RELEASE	AAM 8-9-00	RRR 8-9-00

SIEMENS INDUSTRIAL AUTOMATION	COLOR CODE	CRIMP PROCESS	10	8	WIRE SIZE
6FX2003-4AD00	GREEN	COND.	6	7	SELECTOR NUMBER
	BLACK	INSUL.	8	8	
USE WITH WA27-300BT-EP					



POSITIONER COLOR	HOLE DIMENSIONS	ADDITIONAL FEATURES
GREEN	$\phi .277$ $\nabla .429$	
BLACK	$\phi .277$ $\nabla .763$	
CLEAR		

* HOLE DEPTHS ARE MEASURED FROM THE TOP OF THE TURRET.

RESTRICTED & CONFIDENTIAL CONFIDENTIAL PROPERTY OF DANIELS MANUFACTURING CORP. NOT TO BE DISCLOSED TO OTHERS, REPRODUCED OR USED FOR ANY OTHER PURPOSE, EXCEPT AS AUTHORIZED IN WRITING BY DANIELS MANUFACTURING. MUST BE RETURNED TO DANIELS MANUFACTURING CORP. ON COMPLETION OF ORDER OR OTHER PURPOSE FOR WHICH LENT.	ITEM	PART NO.	QTY.	DESCRIPTION/REMARKS
	DRN.	A. MOO-YOUNG	DATE	8-9-00
	CHK'D.	RRR	DATE	8-9-00
	APP'D.		DATE	
NOTE: THIS DRAWING IS AN OUTLINE DRAWING OF THE RESPECTIVE DMC PART NUMBER INDICATED. ACTUAL DMC PART NUMBER IS DRAWING NUMBER WITHOUT THE "-ENV" SUFFIX.				 DANIELS MANUFACTURING CORP. ORLANDO, FLORIDA CAGE 11851
DO NOT SCALE DRAWING		TITLE ENVELOPE DRAWING TURRET HEAD		WHERE USED: WA27-300BT-EP
		SIZE	SCALE	CAD P/N
		B	NTS	TH632-ENV
		POSTING	DWG. NO.	TH632-ENV
			REV.	1
				1