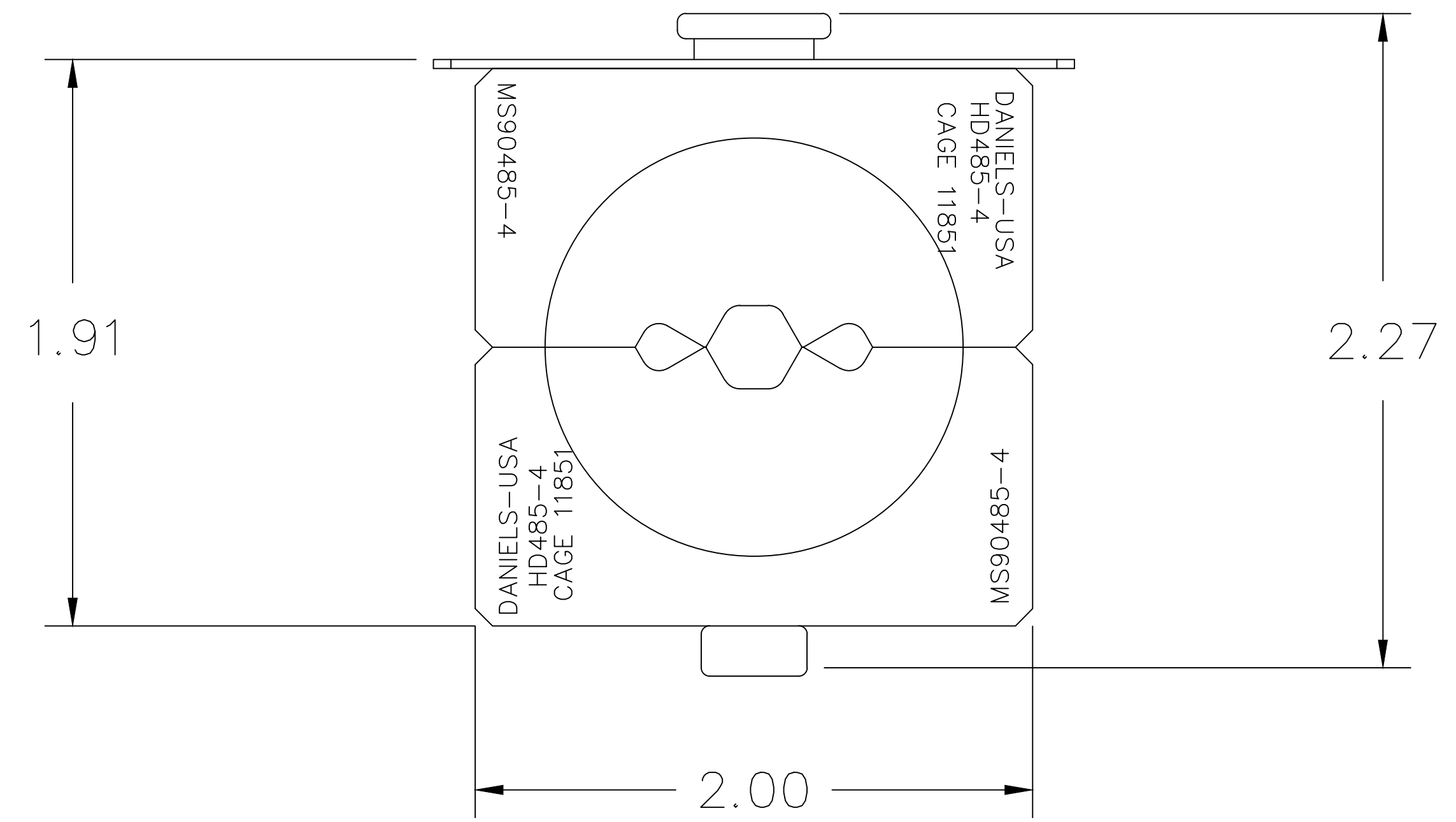
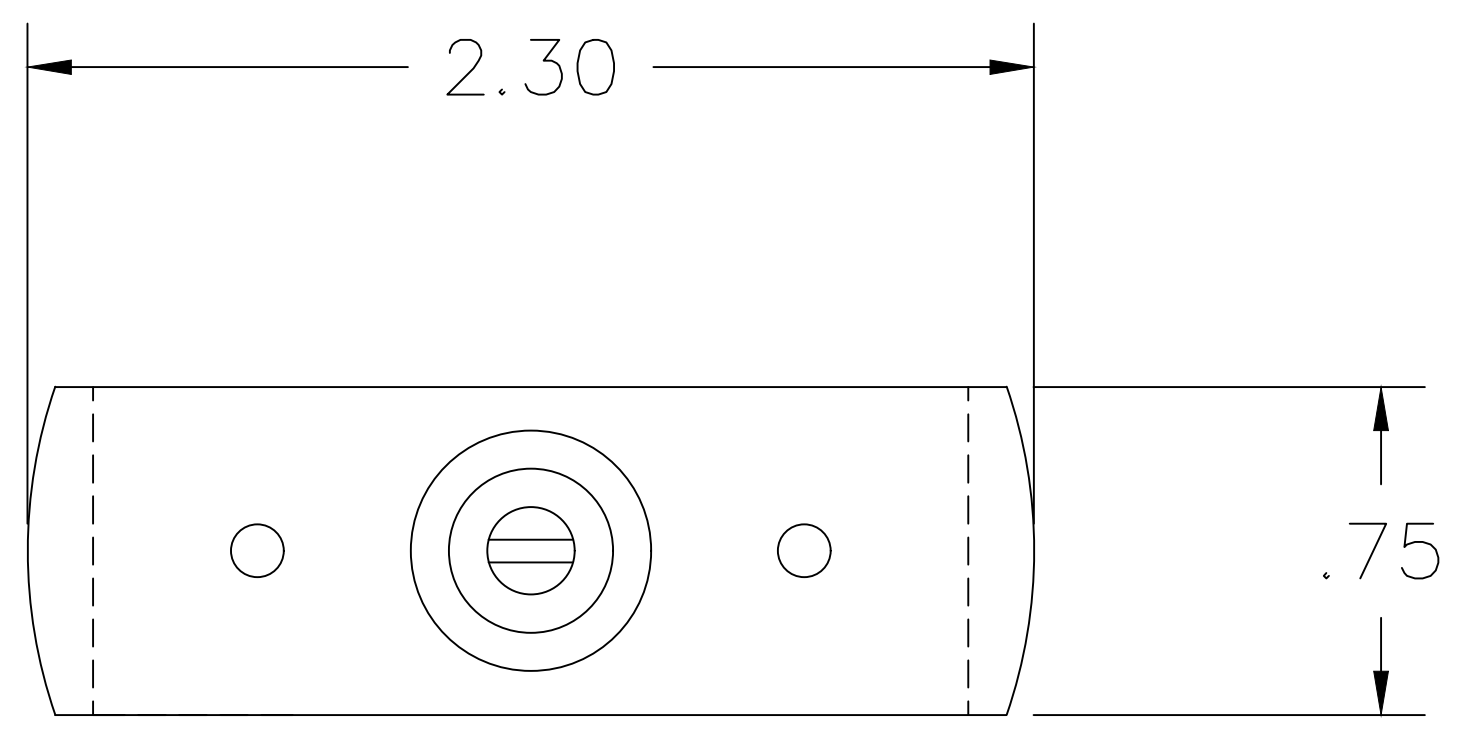


REVISIONS				
REV. SYM.	E.C.O. NUMBER	DESCRIPTION	BY DATE	APP'D DATE
1		ORIGINAL RELEASE	ENF 7/1/10	RRR 7/1/10

**UNCONTROLLED DOCUMENT
WILL NOT BE UPDATED**



2. GAGING DIMENSION .299. CHECK WITH GAGE G722 (MS90486-4).
1. DIE SET FOR USE WITH MS20659 SIZE 4.

NOTES:

<u>RESTRICTED & CONFIDENTIAL</u> CONFIDENTIAL PROPERTY OF DANIELS MANUFACTURING CORP. NOT TO BE DISCLOSED TO OTHERS, REPRODUCED OR USED FOR ANY OTHER PURPOSE, EXCEPT AS AUTHORIZED IN WRITING BY DANIELS MANUFACTURING. MUST BE RETURNED TO DANIELS MANUFACTURING CORP. ON COMPLETION OF ORDER OR OTHER PURPOSE FOR WHICH LENT.	MATERIAL	ITEM	PART NO.	QTY.	DESCRIPTION/REMARKS				
	HEAT TREAT	DRN.	ENF	DATE 7/1/10	DANIELS MANUFACTURING CORP. ORLANDO, FLORIDA CAGE 11851				
FINISH	NOTE: THIS DRAWING IS AN OUTLINE DRAWING OF THE RESPECTIVE DMC PART NUMBER INDICATED. ACTUAL DMC PART NUMBER IS DRAWING NUMBER WITHOUT THE "-ENV" SUFFIX.	CHK'D.	RRR	DATE 7/1/10			TITLE	DIE SET ENVELOPE DRAWING (MS90485-4)	
		APP'D.		DATE	WHERE USED:				
DO NOT SCALE DRAWING		APP'D.		DATE	SIZE	SCALE	CAD P/N	SHEET	OF
					B	NTS	HD485-4-ENV	1	1
					POSTING		DWG. NO.		REV.
							HD485-4-ENV		1