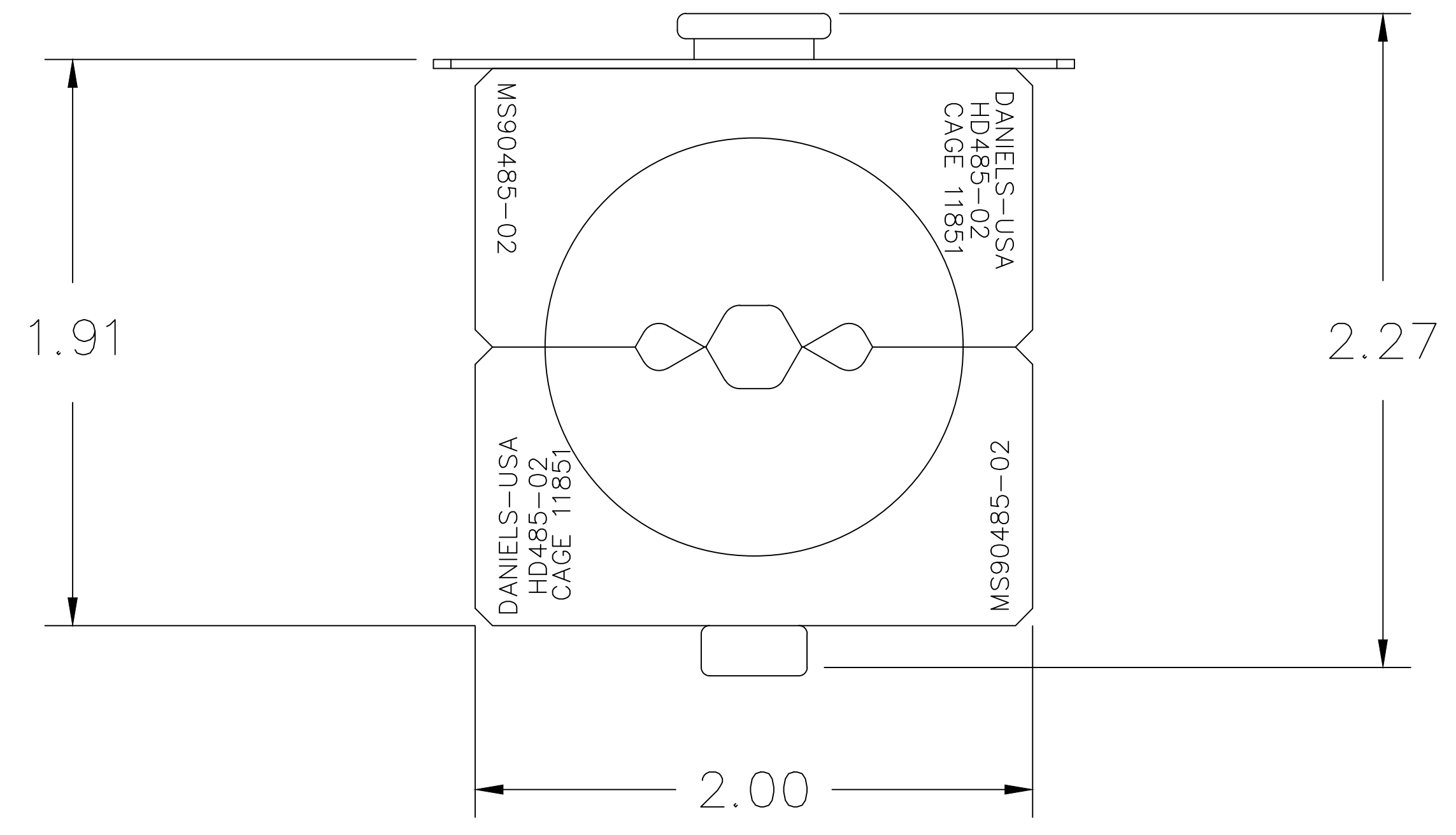
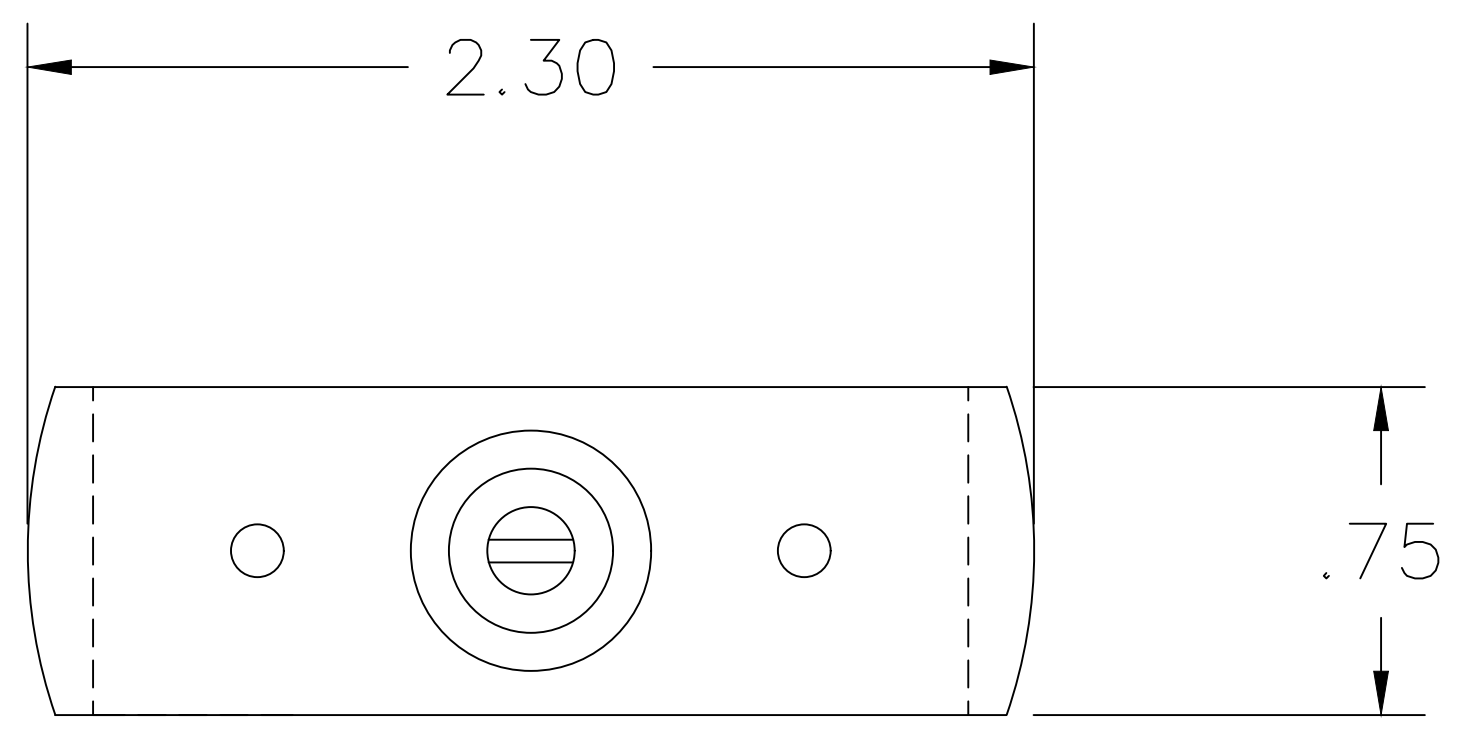


REVISIONS				
REV. SYM.	E.C.O. NUMBER	DESCRIPTION	BY DATE	APP'D DATE
1		ORIGINAL RELEASE	ENF 7/1/10	RRR 7/1/10

**UNCONTROLLED DOCUMENT
WILL NOT BE UPDATED**



2. GAGING DIMENSION .500. CHECK WITH GAGE G836 (MS90486-02).
1. DIE SET FOR USE WITH MS20659 SIZE 2/0.

NOTES:

RESTRICTED & CONFIDENTIAL CONFIDENTIAL PROPERTY OF DANIELS MANUFACTURING CORP. NOT TO BE DISCLOSED TO OTHERS, REPRODUCED OR USED FOR ANY OTHER PURPOSE, EXCEPT AS AUTHORIZED IN WRITING BY DANIELS MANUFACTURING. MUST BE RETURNED TO DANIELS MANUFACTURING CORP. ON COMPLETION OF ORDER OR OTHER PURPOSE FOR WHICH LENT.	MATERIAL	ITEM	PART NO.	QTY.	DESCRIPTION/REMARKS					
	HEAT TREAT	DRN.	ENF	DATE	DANIELS MANUFACTURING CORP. ORLANDO, FLORIDA CAGE 11851					
		CHK'D.	RRR	DATE						
FINISH	APP'D.		DATE	TITLE DIE SET ENVELOPE DRAWING (MS90485-02)						
	APP'D.		DATE							
	NOTE:				WHERE USED:	SIZE	SCALE	CAD P/N	SHEET	OF
THIS DRAWING IS AN OUTLINE DRAWING OF THE RESPECTIVE DMC PART NUMBER INDICATED. ACTUAL DMC PART NUMBER IS DRAWING NUMBER WITHOUT THE "-ENV" SUFFIX.				THIS DRAWING IS AN OUTLINE DRAWING OF THE RESPECTIVE DMC PART NUMBER INDICATED. ACTUAL DMC PART NUMBER IS DRAWING NUMBER WITHOUT THE "-ENV" SUFFIX.		B	NTS	HD485-02-ENV	1	1
						POSTING	DWG. NO. HD485-02-ENV		REV.	1

DO NOT SCALE DRAWING