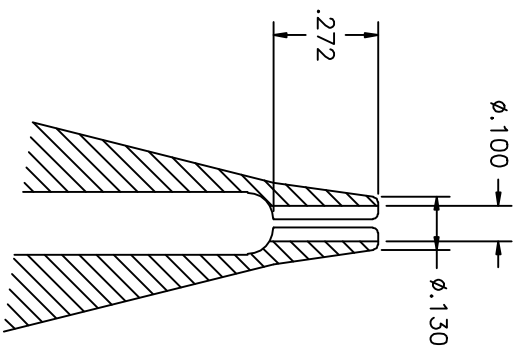
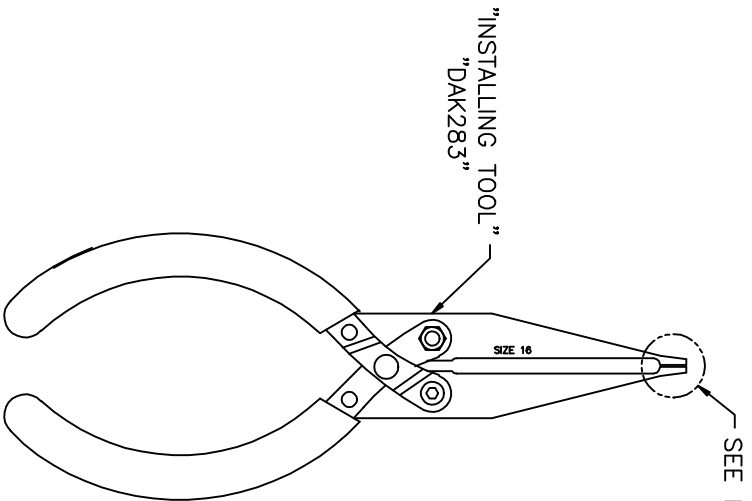



REVISIONS				
REV. STYL. NUMBER	ECO. NUMBER	DESCRIPTION	BY DATE	APP'D DATE
1		ORIGINAL RELEASE	DAV/91	PD/91
2	21481	*COMPARABLE TO* WAS FUNCTIONAL EQUIVALENT	KDH 10/31/09	RRR 10/31/09



DETAIL "A"

**UNCONTROLLED DOCUMENT  
WILL NOT BE UPDATED**

RESTRICTED & CONFIDENTIAL		CONFIDENTIAL PROPERTY OF DANIELS MANUFACTURING CORP. NOT TO BE DISCLOSED TO OTHERS, REPRODUCED OR USED FOR ANY OTHER PURPOSE, EXCEPT AS AUTHORIZED IN WRITING BY DANIELS MANUFACTURING CORP. ON COMPLETION OF ORDER OR OTHER PURPOSE FOR WHICH LENT.	
MATERIAL	HEAT TREAT	FINISH	DO NOT SCALE DRAWING
ITEM	PART NO.	QTY.	DESCRIPTION/REMARKS
DRW. LLW	DATE 8/20/91		 <b>DANIELS MANUFACTURING CORP.</b> ORLANDO, FLORIDA CAGE 11851
CHK'D. PD	DATE 8/21/91		
APP'D. AAM	DATE 8/21/91		
NOTE: THIS DRAWING IS AN OUTLINE DRAWING OF THE RESPECTIVE INDICATED ACTUATING PART NUMBER IS DRAWING NUMBER WITHOUT THE "-ENV" SUFFIX.			
WHERE USED:		CAD FILE NO.	SHEET OF
B NTS		DAK283-ENV	1
POSTING		DWG. NO.	REV.
		DAK283-ENV	2

NOTES:  
1. COMPARABLE TO: BENDIX 11-6781. (2)