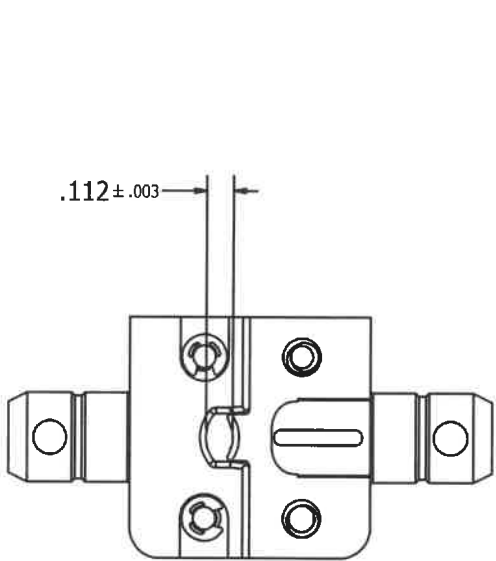
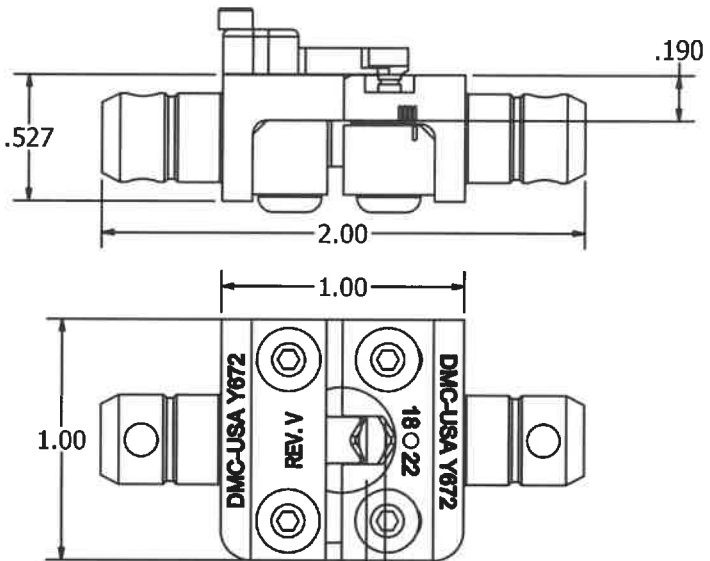


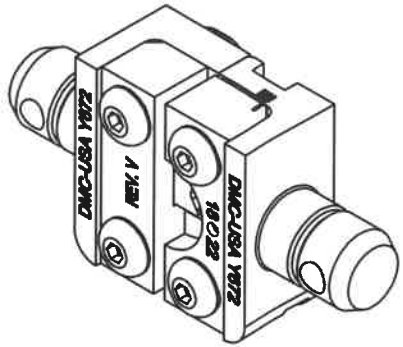
REVISIONS						
REV	ECO NO.	DESCRIPTION	BY	DATE	APP'D BY	DATE
8		REDRAWN IN INVENTOR	MWL	8/28/2024		



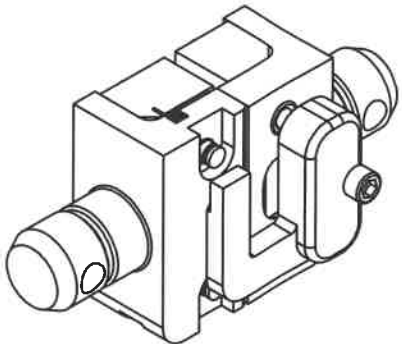
BACK VIEW  
LOCATOR REMOVED TO SHOW  
CONDUCTOR GAGING



INSULATION CRIMP  
ADJUSTABLE BETWEEN  
.030 - .110



ISOMETRIC VIEWS  
SCALE 2 : 1



- 3. SEE SHEET 2 FOR OLDER REVISION GAGING.
- 2. FOR INSULATED TERMINALS 18-22GA  
(MS25036 TERMINALS 18-26GA)
- 1. CHECK CONDUCTOR WITH GAGE G767

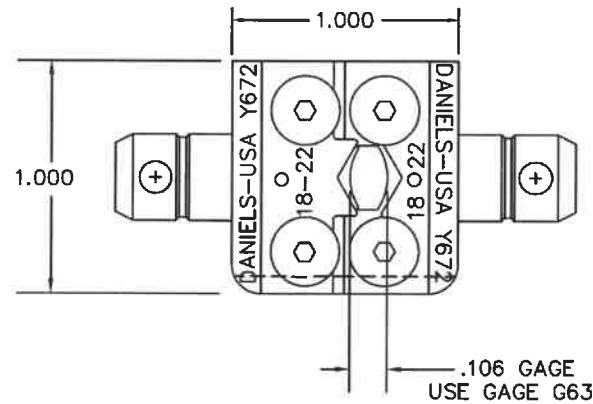
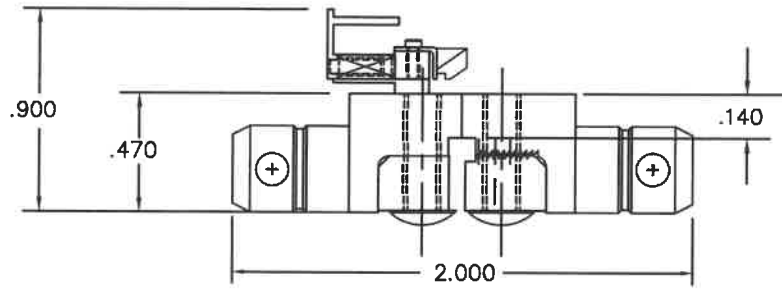
**NOTES:**

**UNCONTROLLED DOCUMENT  
WILL NOT BE UPDATED**

**DIMENSIONS IN INCHES - UNLESS OTHERWISE SPECIFIED**  
RESTRICTED & CONFIDENTIAL  
CONFIDENTIAL PROPERTY OF DANIELS MANUFACTURING CORP. NOT TO BE DISCLOSED TO OTHERS. REPRODUCTION OR USED FOR ANY OTHER PURPOSE EXCEPT AS AUTHORIZED IN WRITING BY DANIELS MANUFACTURING. MUST BE RETURNED TO DANIELS MANUFACTURING CORP. ON COMPLETION OF ORDER OR PURPOSES FOR WHICH LENT.


DRN.	KCK	DATE	2/25/2013	INTERPRET PER ASME Y14.5M-2018		
CHKD	ENF	DATE	7/26/2013	DANIELS MANUFACTURING CORP. ORLANDO, FLORIDA CAGE 11851		
APPD		DATE				
NOTE:				TITLE DIE SET, 18-22 AWG, INSULATED ENVELOPE DRAWING		
THIS DRAWING IS AN OUTLINE DRAWING OF THE RESPECTIVE DMC PART NUMBER INDICATED.				WHERE USED:		
SIZE	B	SCALE	N.T.S.	CAD NO.	Y672_ENV	SHEET 1 OF 2
				PART NO.	Y672	REV. 8

REVISIONS				
REV. SYM.	E.C.O. NUMBER	DESCRIPTION	BY DATE	APP'D DATE
3		ADDED NOTE	ENF 1-31-12	RRR 1-31-12



FOR INSULATED TERMINALS 18-22GA  
(MS25036 TERMINALS 18-26GA)

**UNCONTROLLED DOCUMENT  
WILL NOT BE UPDATED**

<b>RESTRICTED &amp; CONFIDENTIAL</b>		MATERIAL		ITEM	PART NO.	QTY.	DESCRIPTION/REMARKS	
CONFIDENTIAL PROPERTY OF DANIELS MANUFACTURING CORP. NOT TO BE DISCLOSED TO OTHERS, REPRODUCED OR USED FOR ANY OTHER PURPOSE, EXCEPT AS AUTHORIZED IN WRITING BY DANIELS MANUFACTURING. MUST BE RETURNED TO DANIELS MANUFACTURING CORP. ON COMPLETION OF ORDER OR OTHER PURPOSE FOR WHICH LEDIT.		HEAT TREAT		DRW.	TS	DATE	 DANIELS MANUFACTURING CORP. ORLANDO, FLORIDA CAGE 11851	
				CHK'D.	DH	DATE		
				APP'D.	AAM	DATE		
DO NOT SCALE DRAWING		FINISH		APP'D.		DATE	TITLE	
				NOTE: THIS DRAWING IS AN OUTLINE DRAWING OF THE RESPECTIVE DMC PART NUMBER INDICATED. ACTUAL DMC PART NUMBER IS DRAWING NUMBER WITHOUT THE "-ENV" SUFFIX.		WHERE USED:		SHEET OF
				SIZE	SCALE	CAD P/N	1 1	
				B	NTS	Y672-ENV		
				POSTING		DWG. NO.	REV. 3	
						Y672-ENV		