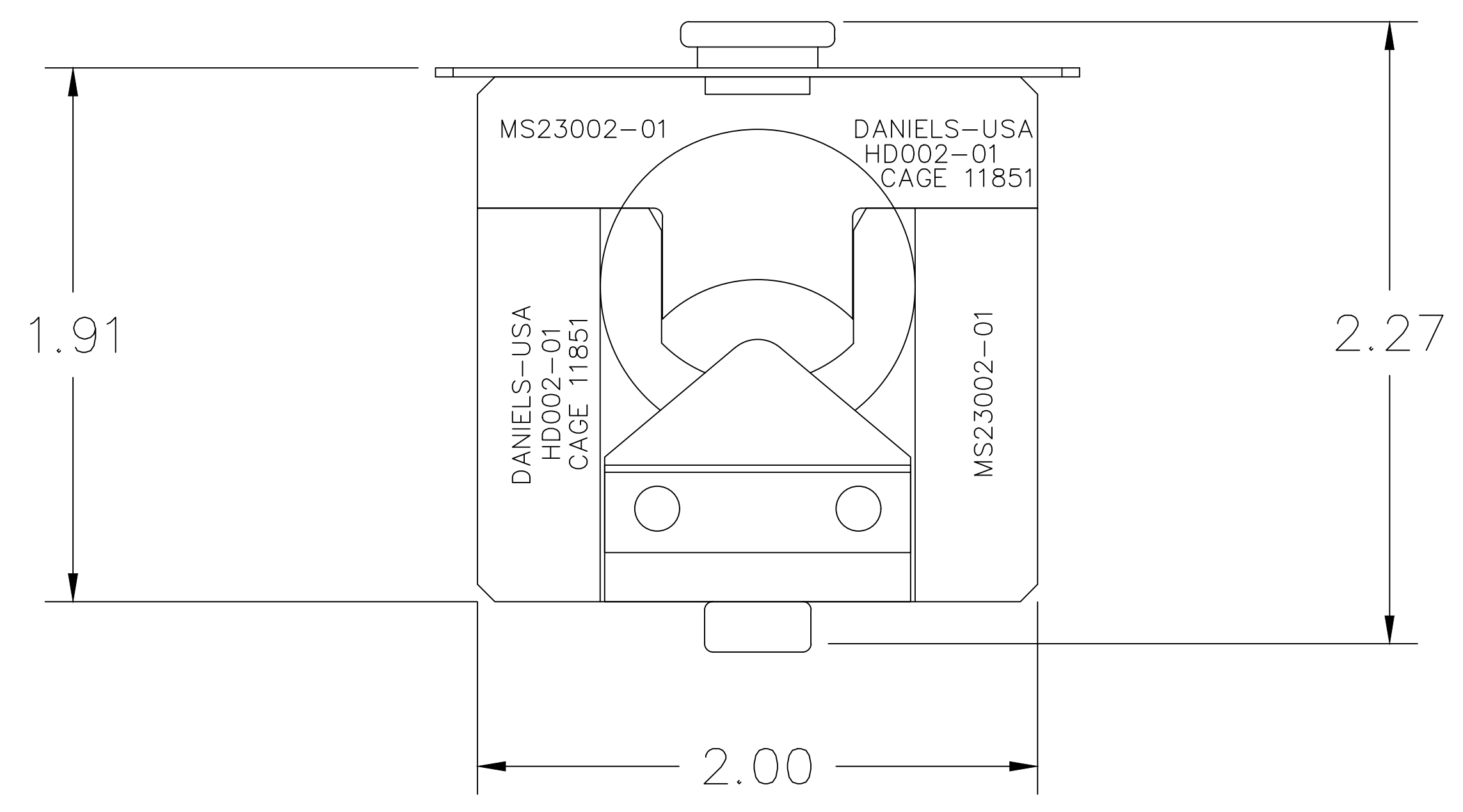
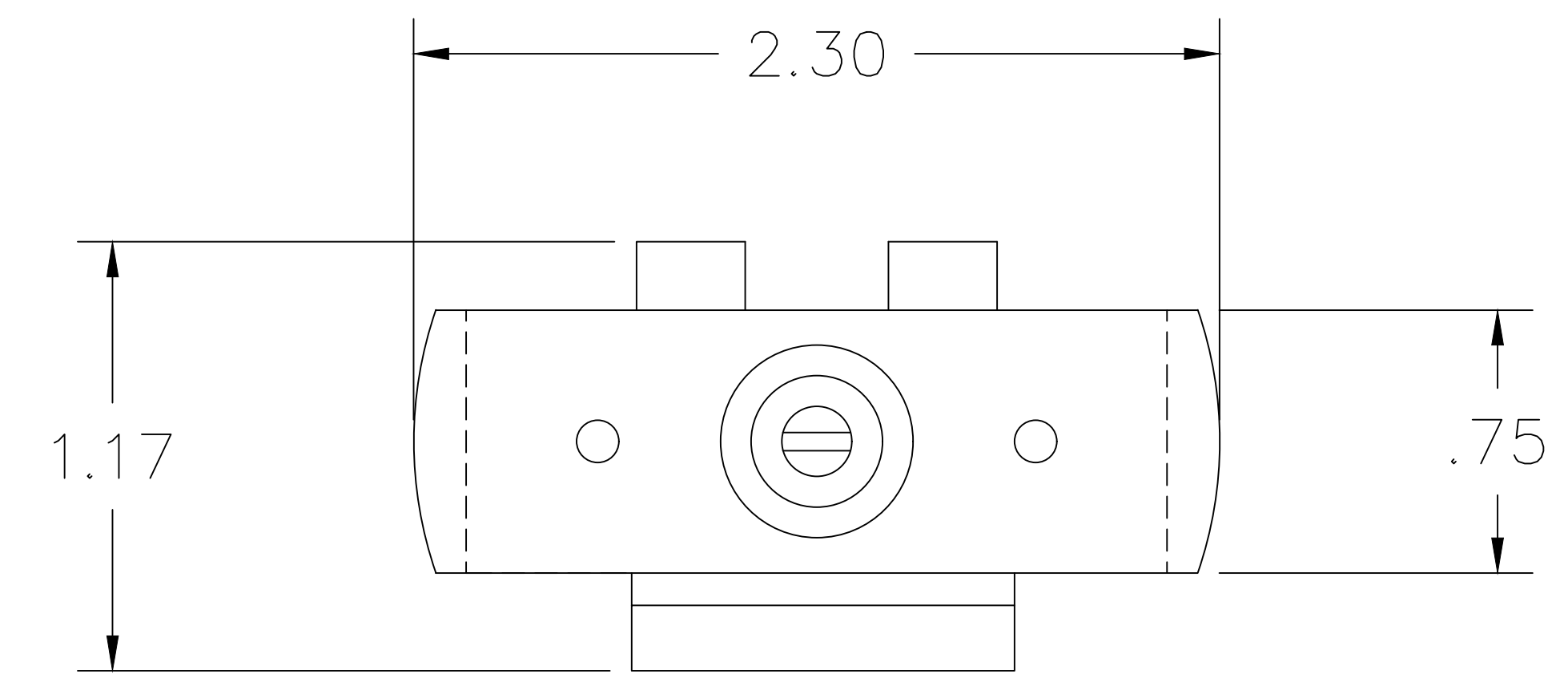



REVISIONS				
REV. SYM.	E.C.O. NUMBER	DESCRIPTION	BY DATE	APP'D DATE
1		ORIGINAL RELEASE	ENF 7/1/10	RRR 7/1/10

**UNCONTROLLED DOCUMENT
WILL NOT BE UPDATED**



2. GAGING DIMENSION .370. CHECK WITH GAGE G727 (MS23003-01).
1. DIE SET FOR USE WITH MS25036 SIZE 1/0 IN TOOL HEAD TBHD1M.

NOTES:

<u>RESTRICTED & CONFIDENTIAL</u> CONFIDENTIAL PROPERTY OF DANIELS MANUFACTURING CORP. NOT TO BE DISCLOSED TO OTHERS, REPRODUCED OR USED FOR ANY OTHER PURPOSE, EXCEPT AS AUTHORIZED IN WRITING BY DANIELS MANUFACTURING. MUST BE RETURNED TO DANIELS MANUFACTURING CORP. ON COMPLETION OF ORDER OR OTHER PURPOSE FOR WHICH LENT.	MATERIAL	ITEM	PART NO.	QTY.	DESCRIPTION/REMARKS	
	HEAT TREAT	DRN. ENF	DATE 7/1/10		 DANIELS MANUFACTURING CORP. ORLANDO, FLORIDA CAGE 11851	
DO NOT SCALE DRAWING	FINISH	CHK'D. RRR	DATE 7/1/10			
		APP'D.	DATE		WHERE USED: SIZE B SCALE NTS POSTING	
		APP'D.	DATE			
		NOTE: THIS DRAWING IS AN OUTLINE DRAWING OF THE RESPECTIVE DMC PART NUMBER INDICATED. ACTUAL DMC PART NUMBER IS DRAWING NUMBER WITHOUT THE "-ENV" SUFFIX.			DWG. NO. HD002-01-ENV REV. 1	