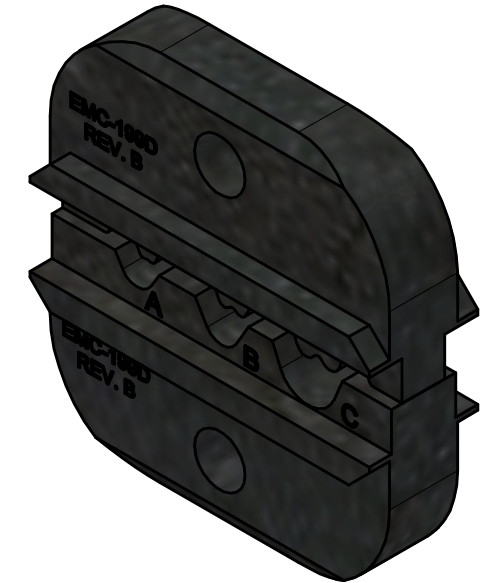
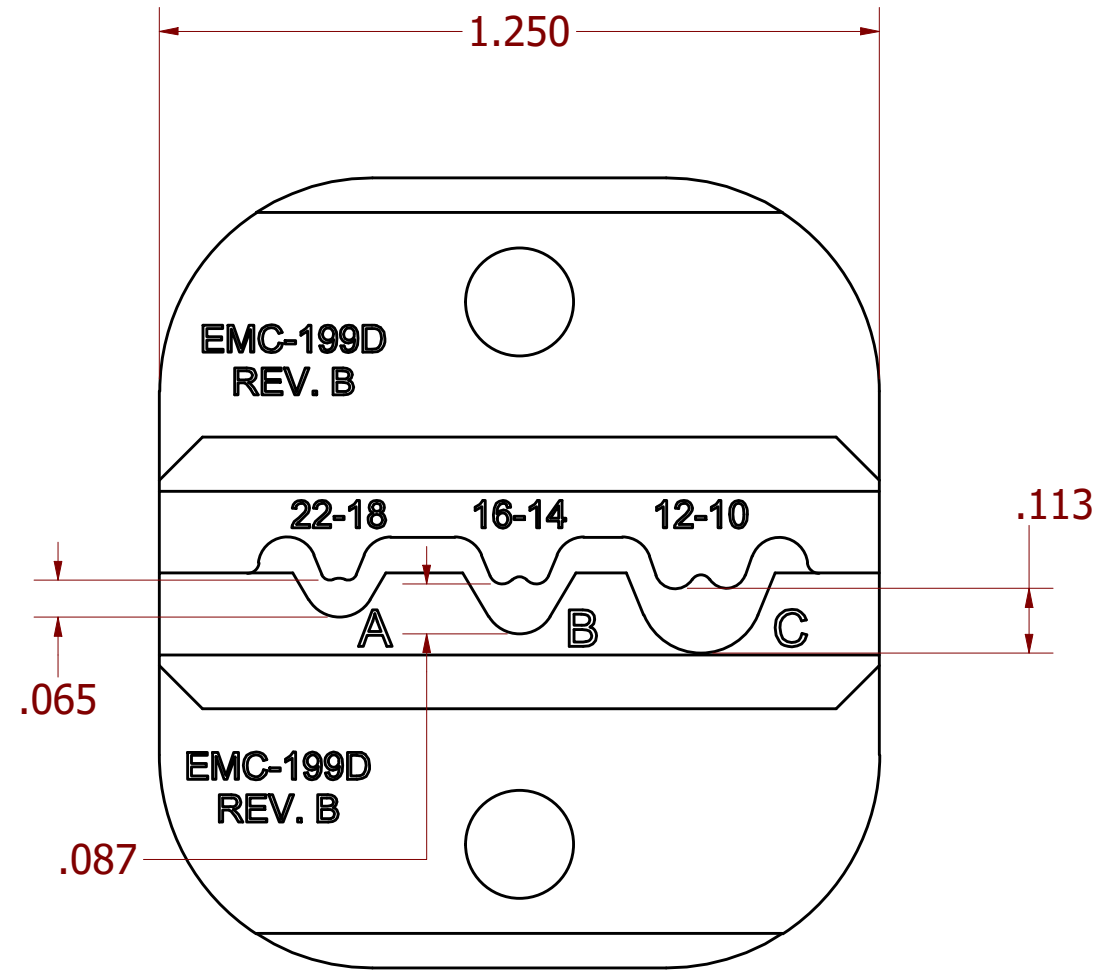
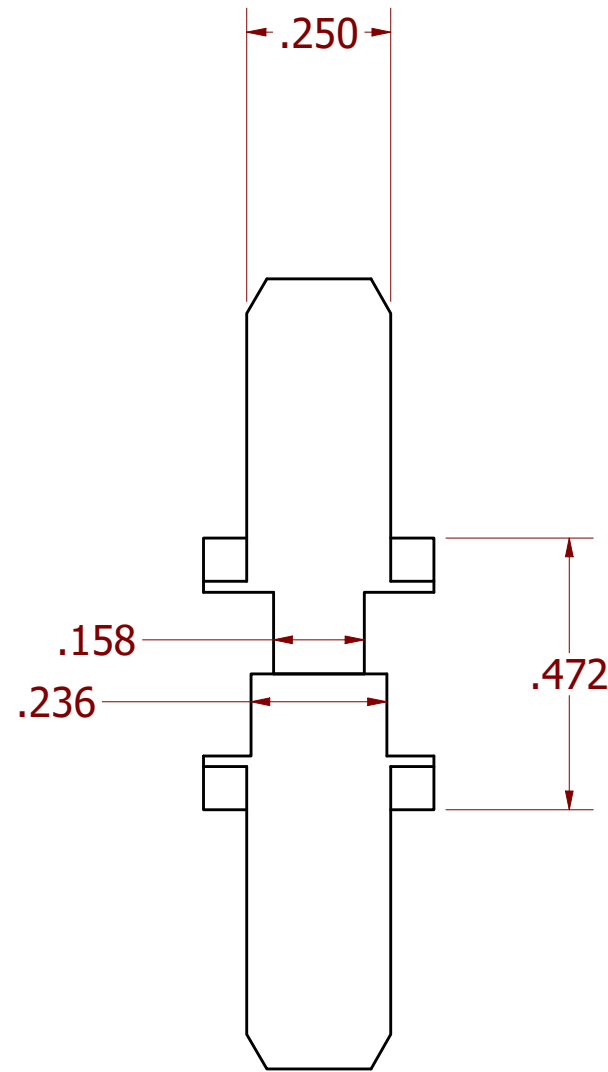


REVISIONS

REV	ECO NO.	DESCRIPTION	BY	DATE	APP'D BY	DATE
1		ORIGINAL RELEASE	MWL	9/26/2023		



ISOMETRIC VIEW
REF ONLY

DRN. KIRK C KOONS	DATE 7/24/2015	INTERPRET PER ASME Y14.5M-2018	
CHK'D TLM	DATE 7/24/2015	DANIELS MANUFACTURING CORP. ORLANDO, FLORIDA DATE 11/25/15	TITLE UN-INSULATED TERMINALS & SPLICES ENVELOPE DRAWING
APP'D	DATE		
NOTE: THIS DRAWING IS AN OUTLINE DRAWING OF THE RESPECTIVE DMC PART NUMBER INDICATED.		WHERE USED:	
SIZE B	SCALE N.T.S.	CAD NO. EMC-199D_ENV	SHEET 1 OF 1
		PART NO. EMC-199D	REV. 1

**UNCONTROLLED DOCUMENT
WILL NOT BE UPDATED**

DIMENSIONS IN INCHES - UNLESS OTHERWISE SPECIFIED

RESTRICTED & CONFIDENTIAL

CONFIDENTIAL PROPERTY OF DANIELS MANUFACTURING CORP. NOT TO BE DISCLOSED TO OTHERS. REPRODUCTION OR USED FOR ANY OTHER PURPOSE EXCEPT AS AUTHORIZED IN WRITING BY DANIELS MANUFACTURING. MUST BE RETURNED TO DANIELS MANUFACTURING CORP. ON COMPLETION OF ORDER OR PURPOSES FOR WHICH LENT.

NOTES: