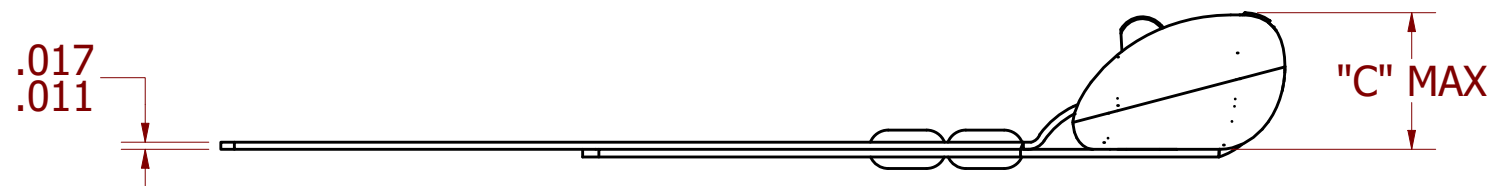
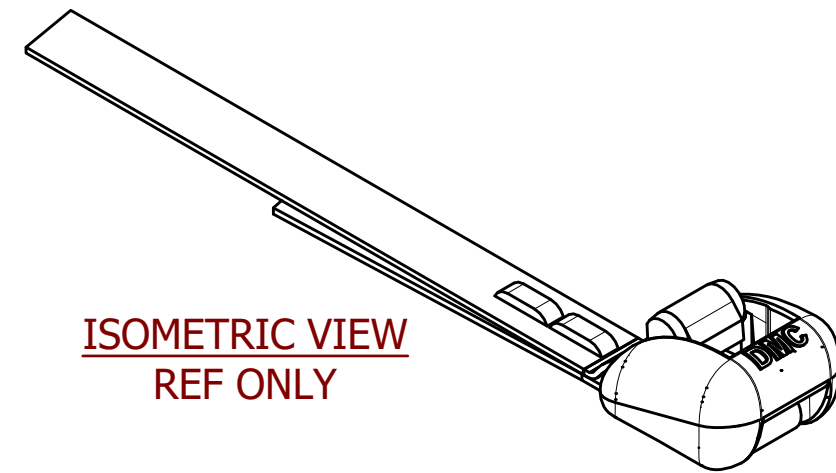
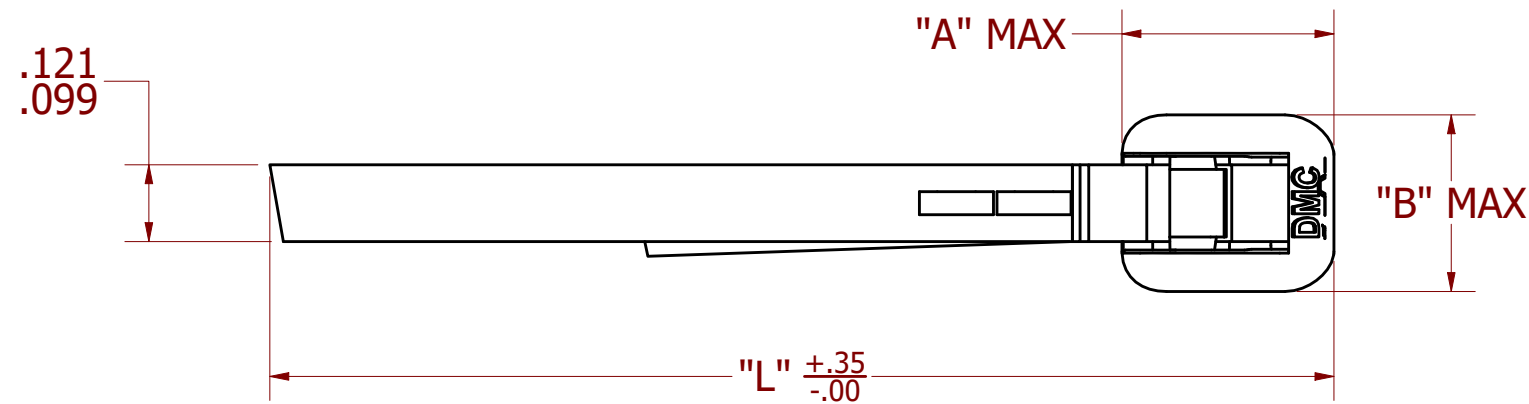


REVISIONS

REV	ECO NO.	DESCRIPTION	BY	DATE	APP'D BY	DATE
1		ORIGINAL RELEASE	K. KOONS	11/25/2022		



P/N XXX COLOR CODE OPTIONS

COLOR CODE	DESCRIPTION
NA1	NATURAL (NO MARKERS)
NA2	NATURAL (ONE OR TWO MARKERS)
BLK	BLACK
BLU	BLUE
BRN	BROWN
GRN	GREEN
GRY	GRAY
ORN	ORANGE
PNK	PINK
RED	RED
VIO	VIOLET

Mil Spec P/N	DMC P/N	Strap Length (L)	CLF Length (A)	CLF Width (B)	CLF Height (C)	Weight (oz) MAX
M32554-06-1-XXX	LF2-06XXX	6.00	.300	.250	.200	.011
M32554-10-1-XXX	LF2-10XXX	10.00	.300	.250	.200	.013
M32554-18-1-XXX	LF2-18XXX	18.00	.300	.250	.200	.020
M32554-24-1-XXX	LF2-24XXX	24.00	.300	.250	.200	.024
M32554-44-1-XXX	LF2-44XXX	44.00	.300	.250	.200	.040

**UNCONTROLLED DOCUMENT
WILL NOT BE UPDATED**

DIMENSIONS IN INCHES - UNLESS OTHERWISE SPECIFIED

NOTES:

RESTRICTED & CONFIDENTIAL

CONFIDENTIAL PROPERTY OF DANIELS MANUFACTURING CORP. NOT TO BE DISCLOSED TO OTHERS. REPRODUCTION OR USED FOR ANY OTHER PURPOSE EXCEPT AS AUTHORIZED IN WRITING BY DANIELS MANUFACTURING. MUST BE RETURNED TO DANIELS MANUFACTURING CORP. ON COMPLETION OF ORDER OR PURPOSES FOR WHICH LENT.

DRN. KIRK C KOONS	DATE 7/28/2021	INTERPRET PER ASME Y14.5M-2018	
CHK'D JC	DATE 7/28/2021	DANIELS MANUFACTURING CORP. ORLANDO, FLORIDA CAGE 11851	
APP'D	DATE		
NOTE: THIS DRAWING IS AN OUTLINE DRAWING OF THE RESPECTIVE DMC PART NUMBER INDICATED.		TITLE LACE FASTENER, SIZE 2, (M32554-XX-1-CCC) ENVELOPE DRAWING	
WHERE USED:		SIZE B	SCALE N.T.S.
		CAD NO. LF2-XXLF-ENV	SHEET 1 OF 1
		PART NO. LF2-XXLF	REV. 1