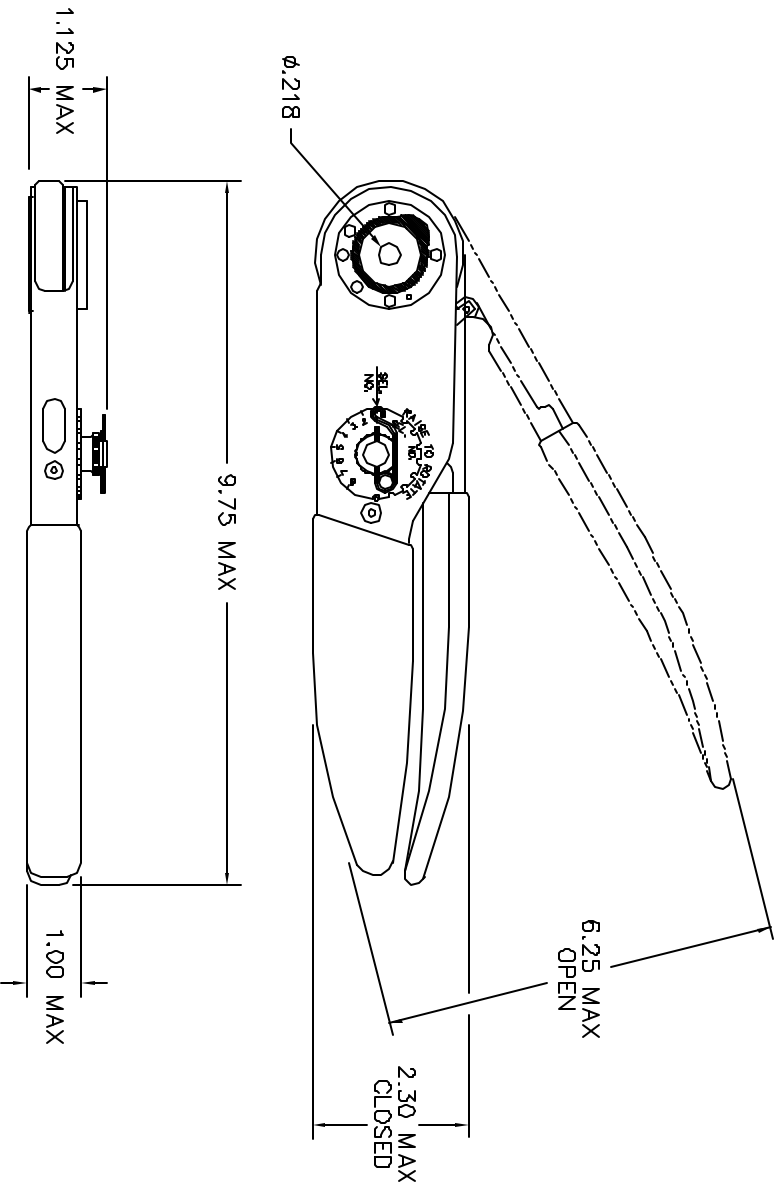


REVISIONS			
REV. NUMBER	DESCRIPTION	BY DATE	APP'D DATE
2	REDRAWN	MMB-ENV 11-15-98	RRR 11-15-98



GAGING LIMITS OF INDENTERS			
SELECTOR NUMBER	G0 DIA	N0 G0 DIA	
1	.0380	.0430	
2	.0420	.0470	
3	.0460	.0510	
4	.0490	.0540	
5	.0550	.0600	
6	.0620	.0670	
7	.0690	.0740	
8	.0780	.0830	

USE GAGE P/N G344 AT SELECTOR NUMBER 4.

UNCONTROLLED DOCUMENT  
WILL NOT BE UPDATED

**RESTRICTED & CONFIDENTIAL**  
 CONFIDENTIAL PROPERTY OF DANIEL'S MANUFACTURING CORP. NOT TO BE DISCLOSED TO OTHERS, REPRODUCED OR USED FOR ANY OTHER PURPOSE, EXCEPT AS AUTHORIZED IN WRITING BY DANIEL'S MANUFACTURING. ALL RIGHTS ARE RESERVED. NO PART OF THIS DOCUMENT IS TO BE REPRODUCED OR TRANSMITTED IN ANY FORM OR BY ANY MEANS, ELECTRONIC OR MECHANICAL, INCLUDING PHOTOCOPYING, RECORDING, OR BY ANY INFORMATION STORAGE AND RETRIEVAL SYSTEM, WITHOUT PERMISSION IN WRITING FROM DANIEL'S MANUFACTURING CORP. OR OTHER PURPOSER FOR WHICH SENT.

DO NOT SCALE DRAWING

MATERIAL		FINISH	
HEAT TREAT		FINISH	
ITEM	PART NO.	QTY.	DESCRIPTION/REMARKS
DRN.	DATE		
CHN'D.	DATE		
TS	DATE		
APP'D.	DATE		
AM	DATE		
APP'D.	DATE		
	DATE		
<b>DMC</b> DANIEL'S MANUFACTURING CORP. ORLANDO, FLORIDA FSO# 11651			
TITLE ENVELOPE DRAWING CRIMP TOOL (VEAM/ITALY)			
WHERE USED		CAD FILE NO	
SIZE	SCALE	M8-ENV	
B	NTS	M8-ENV	
POSTING		P/N	REVISION
		M8-ENV	2