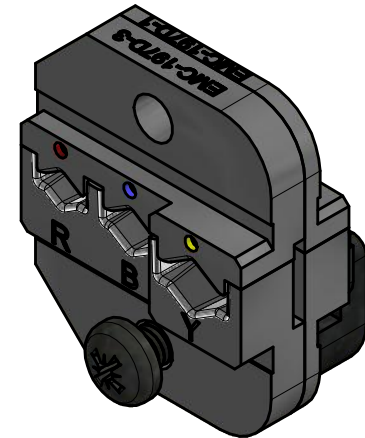
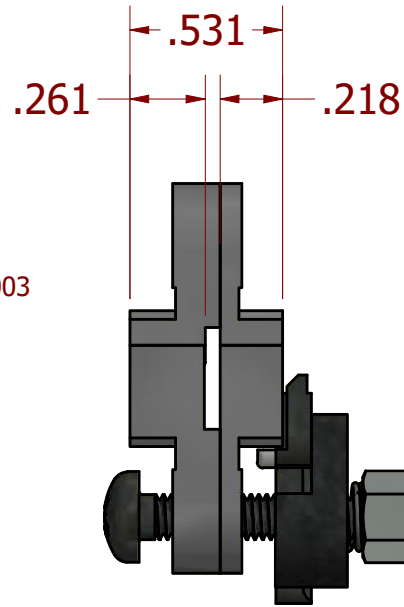
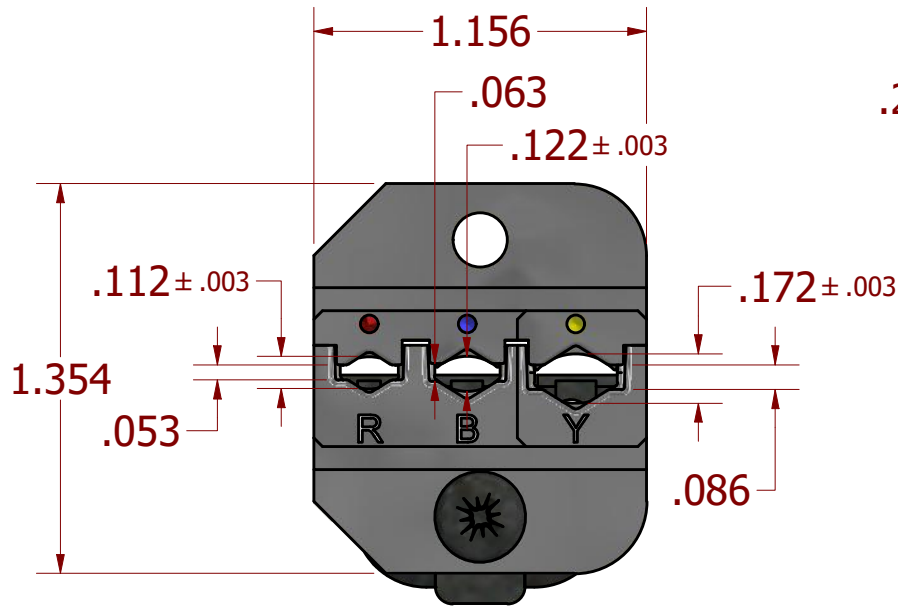


REVISIONS						
REV	ECO NO.	DESCRIPTION	BY	DATE	APP'D BY	DATE
1		ORIGINAL RELEASE	K. KOONS	4/29/2022		



**UNCONTROLLED DOCUMENT
WILL NOT BE UPDATED**

DIMENSIONS IN INCHES - UNLESS OTHERWISE SPECIFIED

1. FUNCTIONAL EQUIVALENT TO TE CONNECTIVITY DIE AND LOCATOR ASSEMBLY 2063030-1. TO BE USED WITH TE CONNECTIVITY PIDG AND PLASTI-GRIP RED/BLUE/YELLOW TERMINALS.

NOTES:

RESTRICTED & CONFIDENTIAL

CONFIDENTIAL PROPERTY OF DANIELS MANUFACTURING CORP. NOT TO BE DISCLOSED TO OTHERS. REPRODUCTION OR USED FOR ANY OTHER PURPOSE EXCEPT AS AUTHORIZED IN WRITING BY DANIELS MANUFACTURING. MUST BE RETURNED TO DANIELS MANUFACTURING CORP. ON COMPLETION OF ORDER OR PURPOSES FOR WHICH LENT.

DRN. KIRK C KOONS	DATE 4/16/2015	INTERPRET PER ASME Y14.5M-2018			
CHK'D RRR	DATE 4/20/2015	DANIELS MANUFACTURING CORP. ORLANDO, FLORIDA CAGE 11851			
APP'D	DATE				
NOTE: THIS DRAWING IS AN OUTLINE DRAWING OF THE RESPECTIVE DMC PART NUMBER INDICATED.		TITLE DIE SET, RBY ENVELOPE DRAWING			
		WHERE USED:			
SIZE A	SCALE N.T.S.	CAD NO. EMC-197D-ENV	SHEET 1 OF 1		REV. 1
		PART NO. EMC-197D			