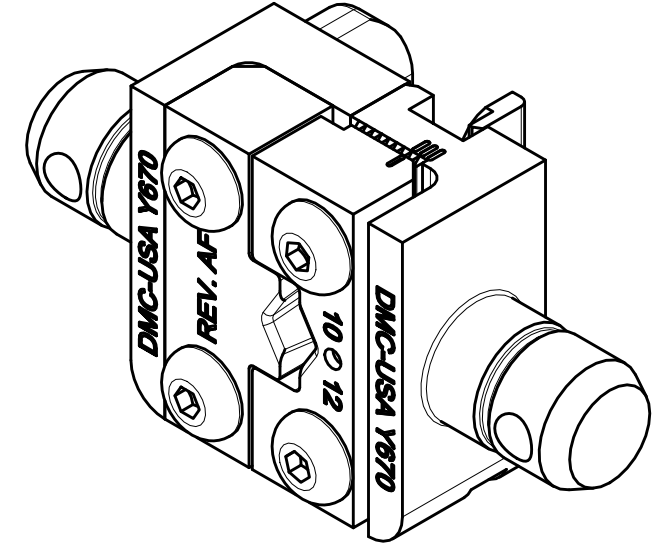
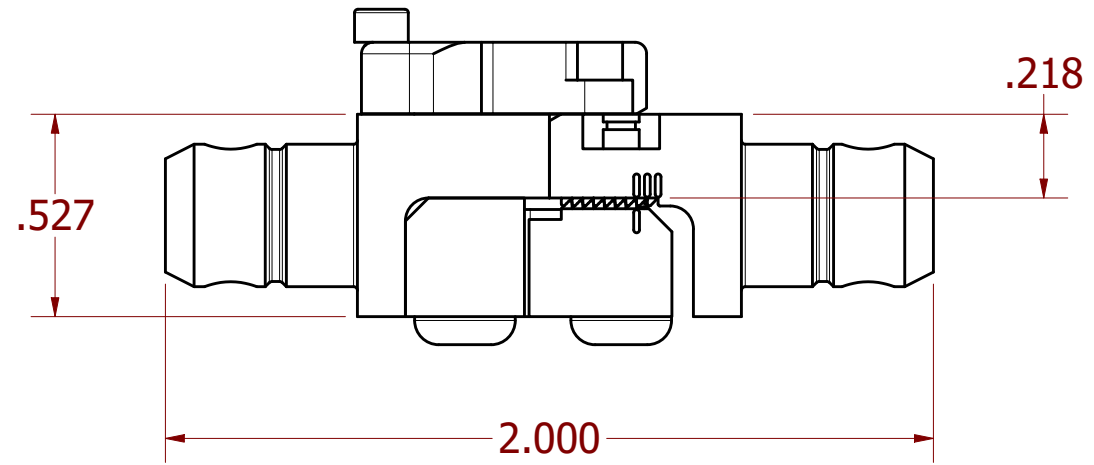
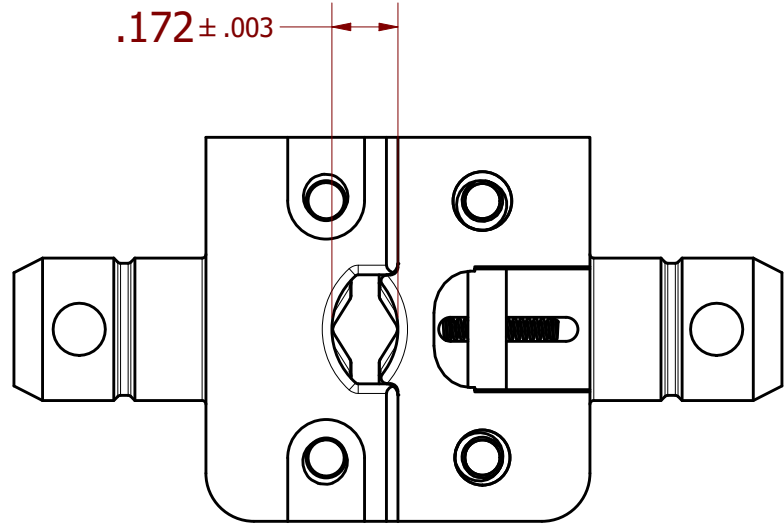


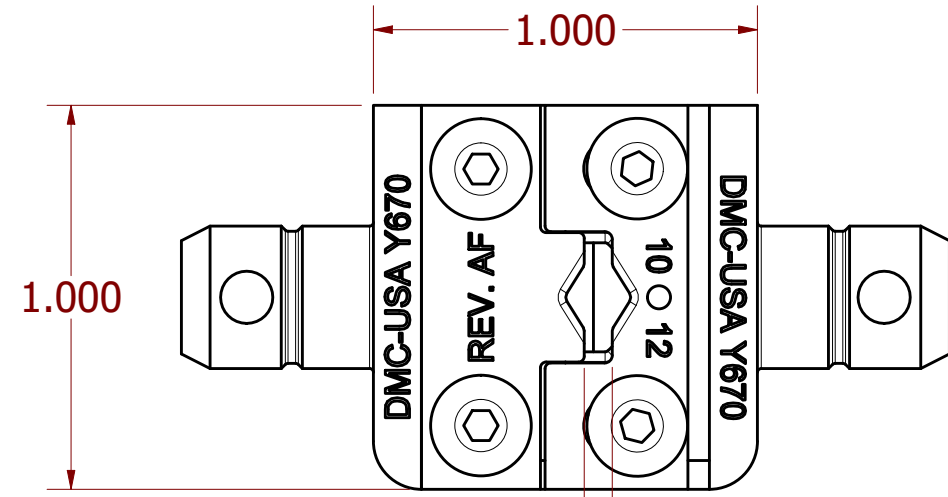
REVISIONS						
REV	ECO NO.	DESCRIPTION	BY	DATE	APP'D BY	DATE
5		REVISED REV MARKING	K. KOONS	6/17/2024		



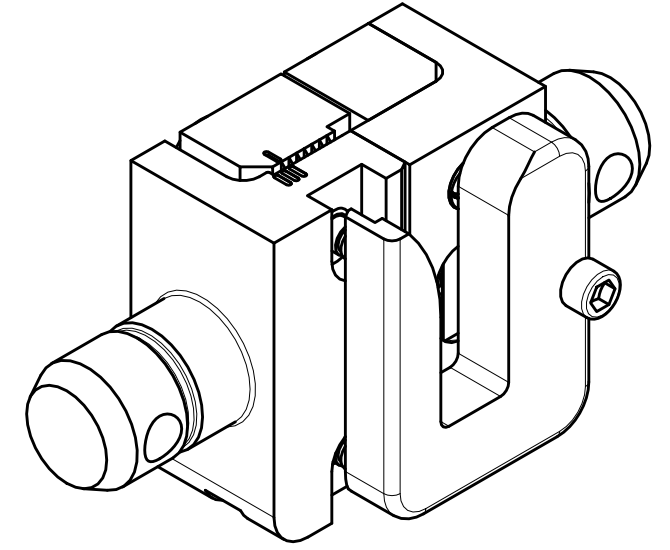
ISOMETRIC VIEWS



BACK VIEW
LOCATOR REMOVED TO SHOW
CONDUCTOR GAGING



INSULATION CRIMP
ADJUSTABLE BETWEEN
.139 - .064



- 4. SEE PAGE 2 FOR OLD REVISION GAGING INFORMATION.
- 3. RECOMENDED FOR USE IN POWERED CRIMP TOOL DUE TO REQUIRED CRIMPING FORCE.
- 2. CHECK CONDUCTOR GAGING WITH G654.
- 1. FOR AS7928, MS17143 & MS25036 TERMINALS: YELLOW INSULATED, 10-12 AWG.

NOTES:

**UNCONTROLLED DOCUMENT
WILL NOT BE UPDATED**

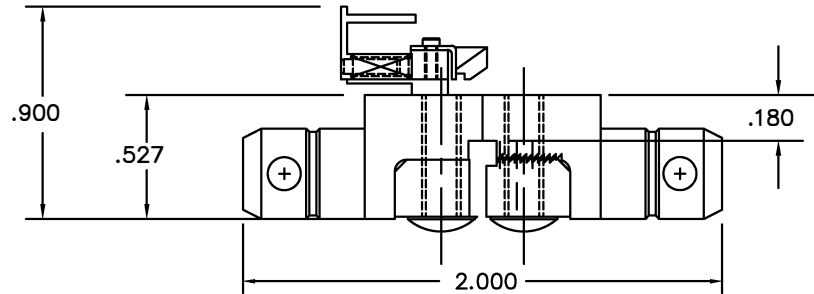
DIMENSIONS IN INCHES - UNLESS OTHERWISE SPECIFIED

RESTRICTED & CONFIDENTIAL

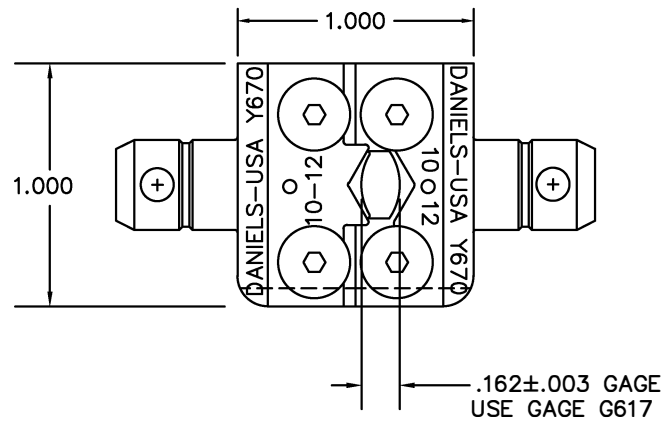
CONFIDENTIAL PROPERTY OF DANIELS MANUFACTURING CORP. NOT TO BE DISCLOSED TO OTHERS. REPRODUCTION OR USED FOR ANY OTHER PURPOSE EXCEPT AS AUTHORIZED IN WRITING BY DANIELS MANUFACTURING. MUST BE RETURNED TO DANIELS MANUFACTURING CORP. ON COMPLETION OF ORDER OR PURPOSES FOR WHICH LENT.

DRN. KIRK C KOONS	DATE 3/26/2013	INTERPRET PER ASME Y14.5M-2018		
CHK'D RRR	DATE 3/26/2013	DANIELS MANUFACTURING CORP. ORLANDO, FLORIDA CAGE 11851		
APP'D JC	DATE 6/17/2024			
NOTE: THIS DRAWING IS AN OUTLINE DRAWING OF THE RESPECTIVE DMC PART NUMBER INDICATED.		TITLE DIE SET, INSULATED, 10-12 AWG ENVELOPE DRAWING		
WHERE USED:		SIZE B	SCALE N.T.S.	CAD NO. Y670_ENV
		PART NO. Y670		SHEET 1 OF 2
				REV. 5


REVISIONS				
REV. SYM.	E.C.O. NUMBER	DESCRIPTION	BY DATE	APP'D DATE



NOTE: THIS IS GAGING INFORMATION FOR Y670 DIE SETS WITH NO REVISION MARKED



**UNCONTROLLED DOCUMENT
WILL NOT BE UPDATED**

RESTRICTED & CONFIDENTIAL		MATERIAL	ITEM	PART NO.	QTY.	DESCRIPTION/REMARKS			
CONFIDENTIAL PROPERTY OF DANIELS MANUFACTURING CORP. NOT TO BE DISCLOSED TO OTHERS, REPRODUCED OR USED FOR ANY OTHER PURPOSE, EXCEPT AS AUTHORIZED IN WRITING BY DANIELS MANUFACTURING. MUST BE RETURNED TO DANIELS MANUFACTURING CORP. ON COMPLETION OF ORDER OR OTHER PURPOSE FOR WHICH LENT.		HEAT TREAT	DRN.	TS	DATE	 DANIELS MANUFACTURING CORP. ORLANDO, FLORIDA CAGE 11851			
			CHK'D.	DH	DATE				
			APP'D.	AAM	DATE	TITLE DIE SET ENVELOPE DRAWING			
			APP'D.		DATE				
DO NOT SCALE DRAWING		FINISH	NOTE:			WHERE USED:			
			THIS DRAWING IS AN OUTLINE DRAWING OF THE RESPECTIVE DMC PART NUMBER INDICATED. ACTUAL DMC PART NUMBER IS DRAWING NUMBER WITHOUT THE "-ENV" SUFFIX.			SIZE	SCALE	CAD P/N	SHEET
						B	2X	Y670-ENV	2
						POSTING	DWG. NO.	Y670-ENV	REV.
						5			