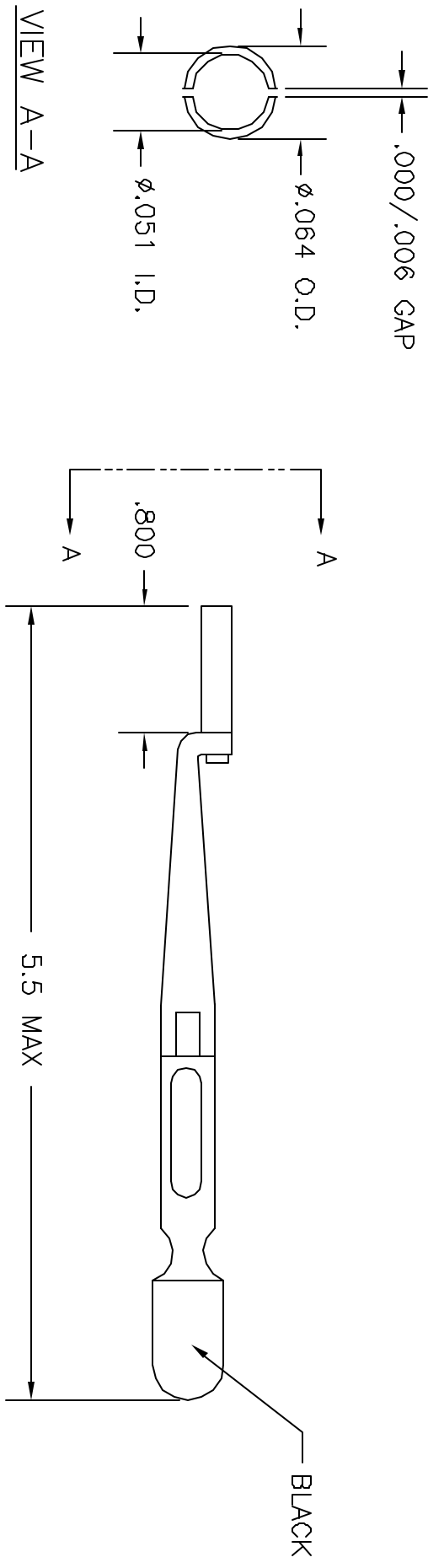


REVISIONS			
REV. NO.	DATE	BY	APP'D
1	3/18/04	AM	3/18/04
DESCRIPTION		ORIGINAL RELEASE	



**UNCONTROLLED DOCUMENT
WILL NOT BE UPDATED**

RESTRICTED & CONFIDENTIAL
 CONFIDENTIAL PROPERTY OF DANIEL'S MANUFACTURING CORP. NOT TO BE DISCLOSED TO OTHERS, REPRODUCED OR COPIED IN ANY MANNER WITHOUT THE WRITTEN PERMISSION OF DANIEL'S MANUFACTURING CORP. ON COMPLETION OF ORDER OR OTHER PURPOSE FOR WHICH SENT.

DO NOT SCALE DRAWING

ITEM	PART NO.	QTY.	DESCRIPTION/REMARKS
1	JOYCE		DANIEL'S MANUFACTURING CORP. ORLANDO, FLORIDA CASE 71851
DATE	DATE	DATE	DATE
3/18/04	3/18/04	3/18/04	3/18/04
DRG. NO.	DATE	DATE	DATE
DAK264-22D-ENV	3/18/04	3/18/04	3/18/04

NOTE: THIS DRAWING IS AN OUTLINE DRAWING OF THE RESPECTIVE DMC PART NUMBER INDICATED. ACTUAL DMC PART NUMBER IS DETERMINED BY THE "ENV" SUFFIX.

WHERE USED:

SIZE	SCALE	CAD FILE	SHEET
B	NTS	DAK264-22D-ENV	1
POSTING		DAK264-22D-ENV	1

TITLE: #22D INSTALLING TOOL ENVELOPE DRAWING