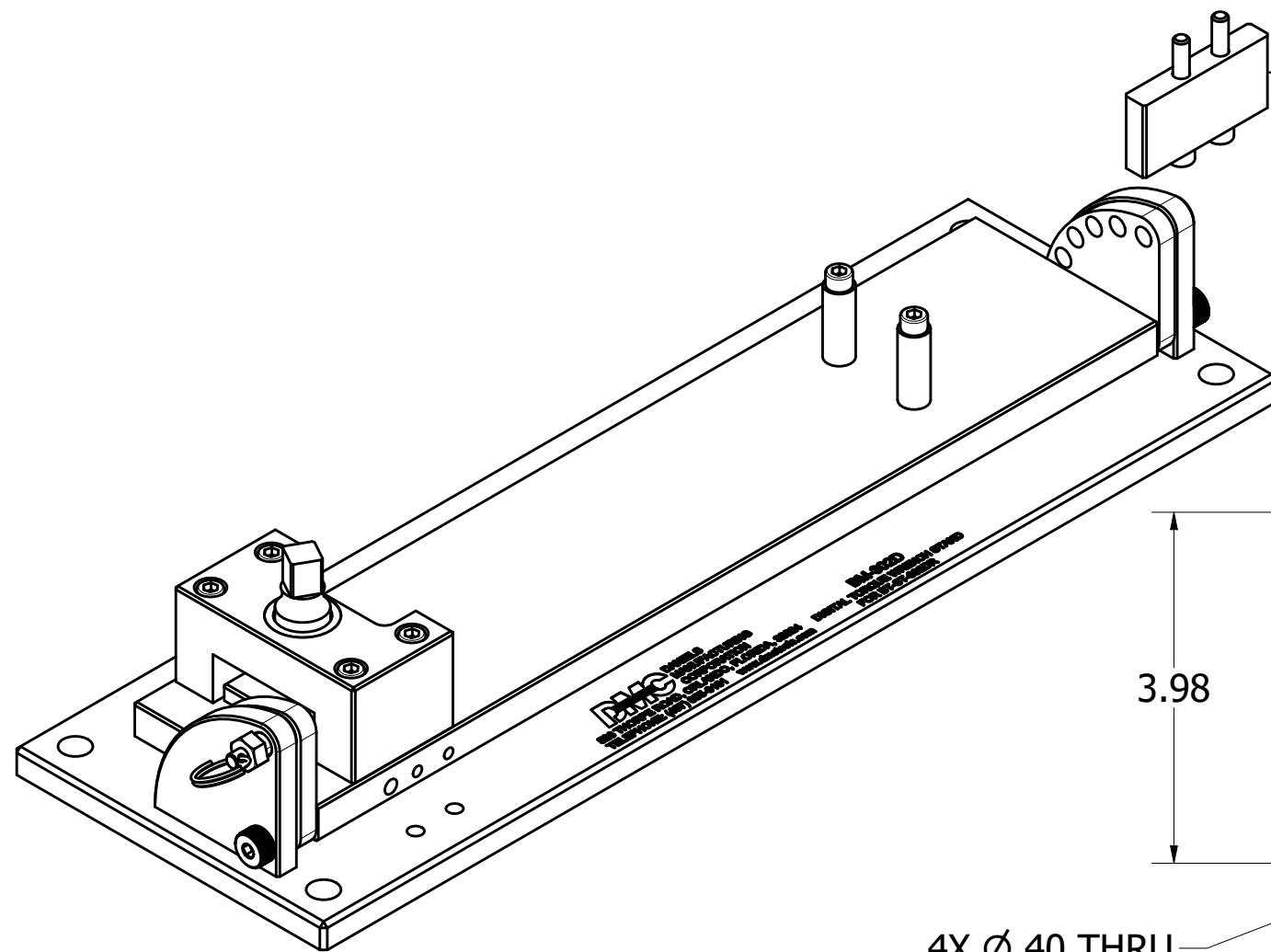
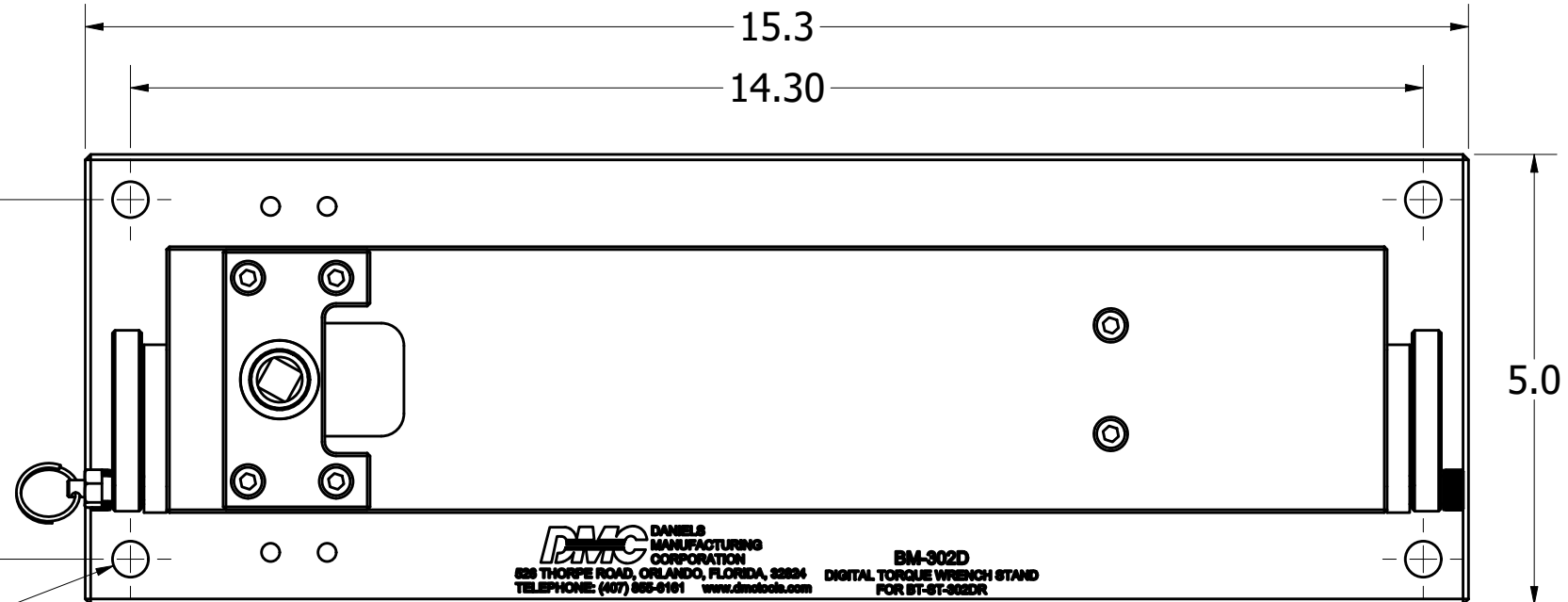


REVISIONS

REV	ECO NO.	DESCRIPTION	BY	DATE	APP'D BY	DATE
2		ADDED HOLE DIMS	H. DAVID	2/15/2024		



2X SPACERS FOR VERTICAL CONFIGURATION



4X Ø.40 THRU



1. BENCH MOUNT FOR BT-ST-302DR DIGITAL TORQUE WRENCH.

NOTES:

**RESTRICTED & CONFIDENTIAL**  
 CONFIDENTIAL PROPERTY OF DANIELS MANUFACTURING CORP. NOT TO BE DISCLOSED TO OTHERS. REPRODUCTION OR USED FOR ANY OTHER PURPOSE EXCEPT AS AUTHORIZED IN WRITING BY DANIELS MANUFACTURING. MUST BE RETURNED TO DANIELS MANUFACTURING CORP. ON COMPLETION OF ORDER OR PURPOSES FOR WHICH LENT.

DRN. D. HENDESS	DATE 3/12/2020	INTERPRET PER ASME Y14.5M-2018	
CHK'D K. KOONS	DATE 3/12/2020	DANIELS MANUFACTURING CORP. ORLANDO, FLORIDA CAGE 11851	
APP'D	DATE		
NOTE: THIS DRAWING IS AN OUTLINE DRAWING OF THE RESPECTIVE DMC PART NUMBER INDICATED.		TITLE BENCH MOUNT FOR BT-ST-302DR ENVELOPE DRAWING	
WHERE USED:		SIZE B	SHEET 1 OF 1
		SCALE N.T.S.	REV. 2
		CAD NO. BM-302D-ENV	
		PART NO. BM-302D	