

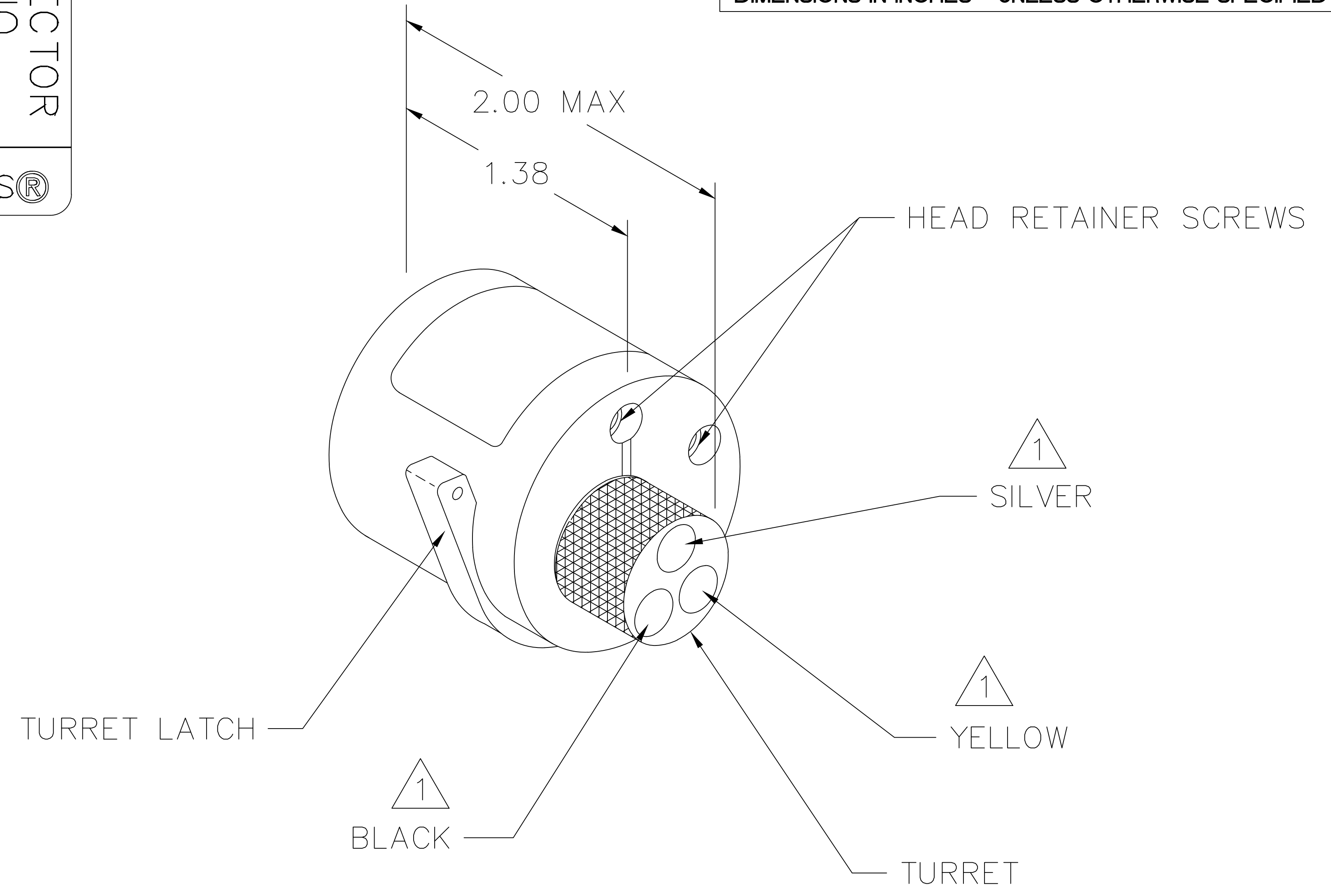
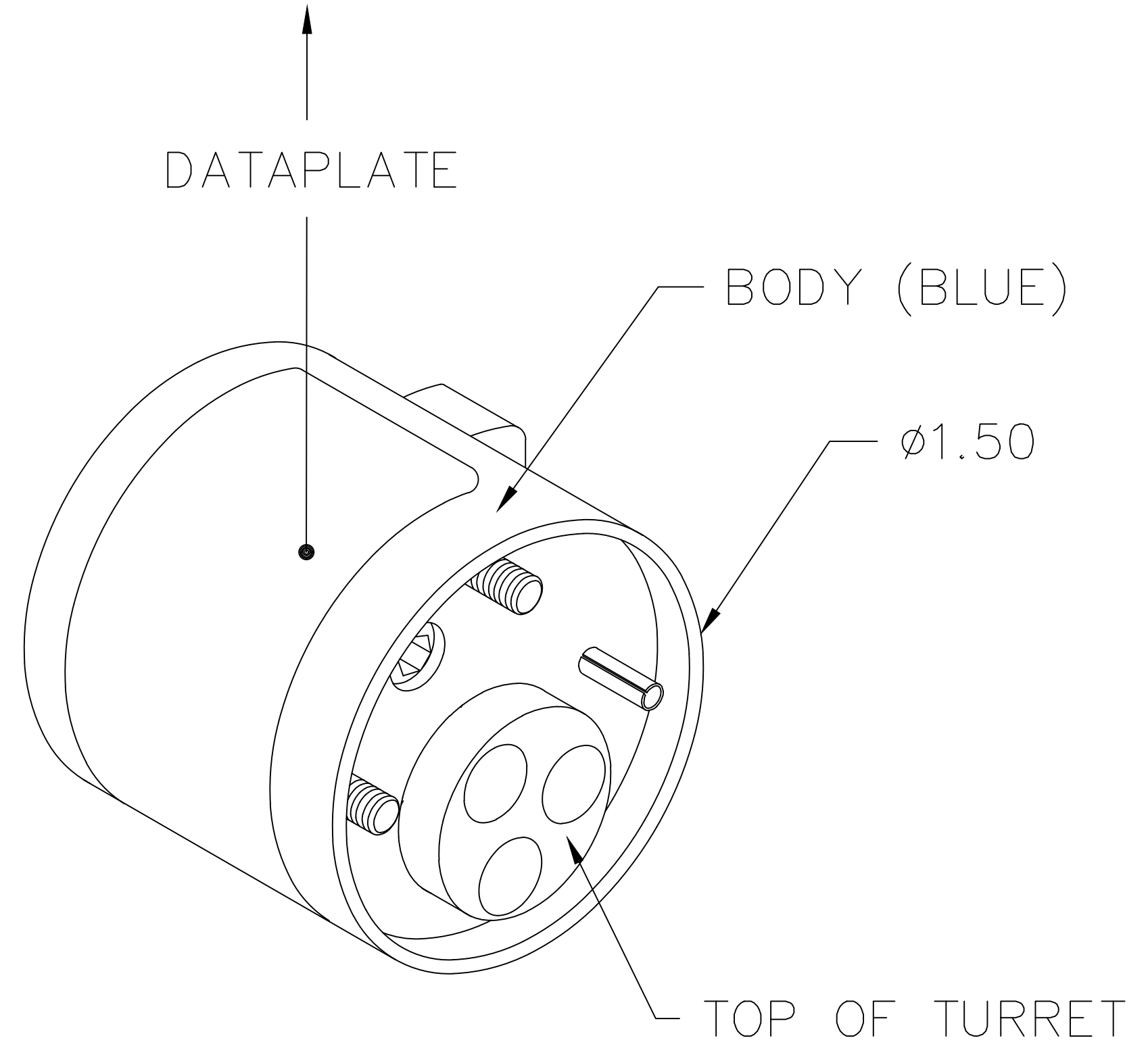
REVISIONS				
REV. SYM.	E.C.O. NUMBER	DESCRIPTION	BY DATE	APP'D DATE
1	20584	ORIGINAL RELEASE	TD 8-8-11	

**UNCONTROLLED DOCUMENT
WILL NOT BE UPDATED**

DIMENSIONS IN INCHES - UNLESS OTHERWISE SPECIFIED

CONTACT TYPE	COLOR CODE	WIRE SIZE						SELECTOR NO.
		24	22	20	18	16	14	
PIN	BLACK	2	3	4	5	5	6	N/A
PIN	YELLOW	N/A	N/A	N/A	N/A	N/A	N/A	6

P/N: TLO001 **APP** ANDERSON POWER PRODUCTS®



1 RANDOM ORDER OF ROTATION IS ACCEPTABLE.

POSITIONER COLOR	* HOLE DIMENSIONS	ADDITIONAL FEATURES	
BLACK	$\phi .078$ ↓ THRU	$\phi .108$ ↓ .203	$\phi .134$ ↓ .130
YELLOW	$\phi .078$ ↓ THRU	$\phi .108$ ↓ .242	$\phi .134$ ↓ .130
SILVER			

* HOLE DEPTHS AND COUNTERBORES ARE MEASURED FROM TOP OF TURRET.

RESTRICTED & CONFIDENTIAL CONFIDENTIAL PROPERTY OF DANIELS MANUFACTURING CORP. NOT TO BE DISCLOSED TO OTHERS, REPRODUCED OR USED FOR ANY OTHER PURPOSE, EXCEPT AS AUTHORIZED IN WRITING BY DANIELS MANUFACTURING. MUST BE RETURNED TO DANIELS MANUFACTURING CORP. ON COMPLETION OF ORDER OR OTHER PURPOSE FOR WHICH LENT.	ITEM	PART NO.	QTY.	DESCRIPTION/REMARKS
	DRN.	<i>Tony Dilworth</i>	DATE	8-8-11
	CHK'D.		DATE	
	APP'D.		DATE	
	APP'D.		DATE	
DO NOT SCALE DRAWING	NOTE:		THIS DRAWING IS AN OUTLINE DRAWING OF THE RESPECTIVE DMC PART NUMBER INDICATED. ACTUAL DMC PART NUMBER IS DRAWING NUMBER WITHOUT THE "-ENV" SUFFIX.	
	SIZE	SCALE	CAD P/N	SHEET OF
	B	NTS	TH693-ENV	1 1
	POSTING	DWG. NO.	TH693-ENV	REV. 1



TITLE: ENVELOPE DRAWING TURRET HEAD

WHERE USED: AF8