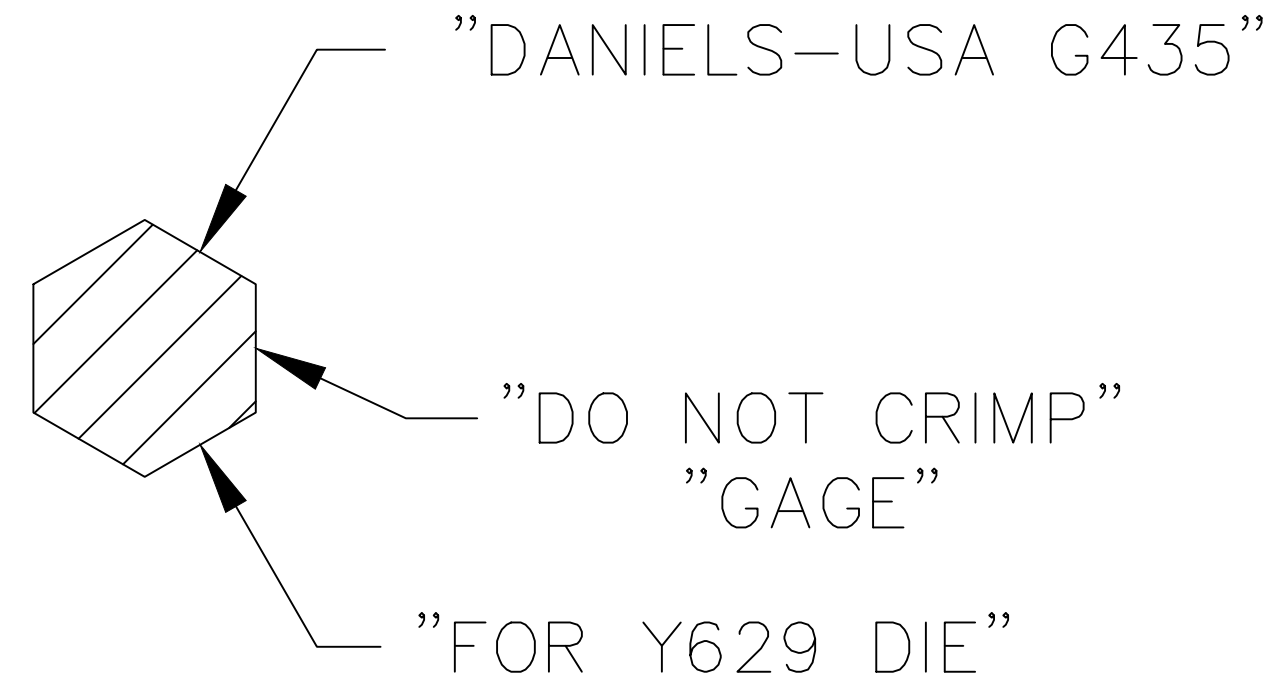
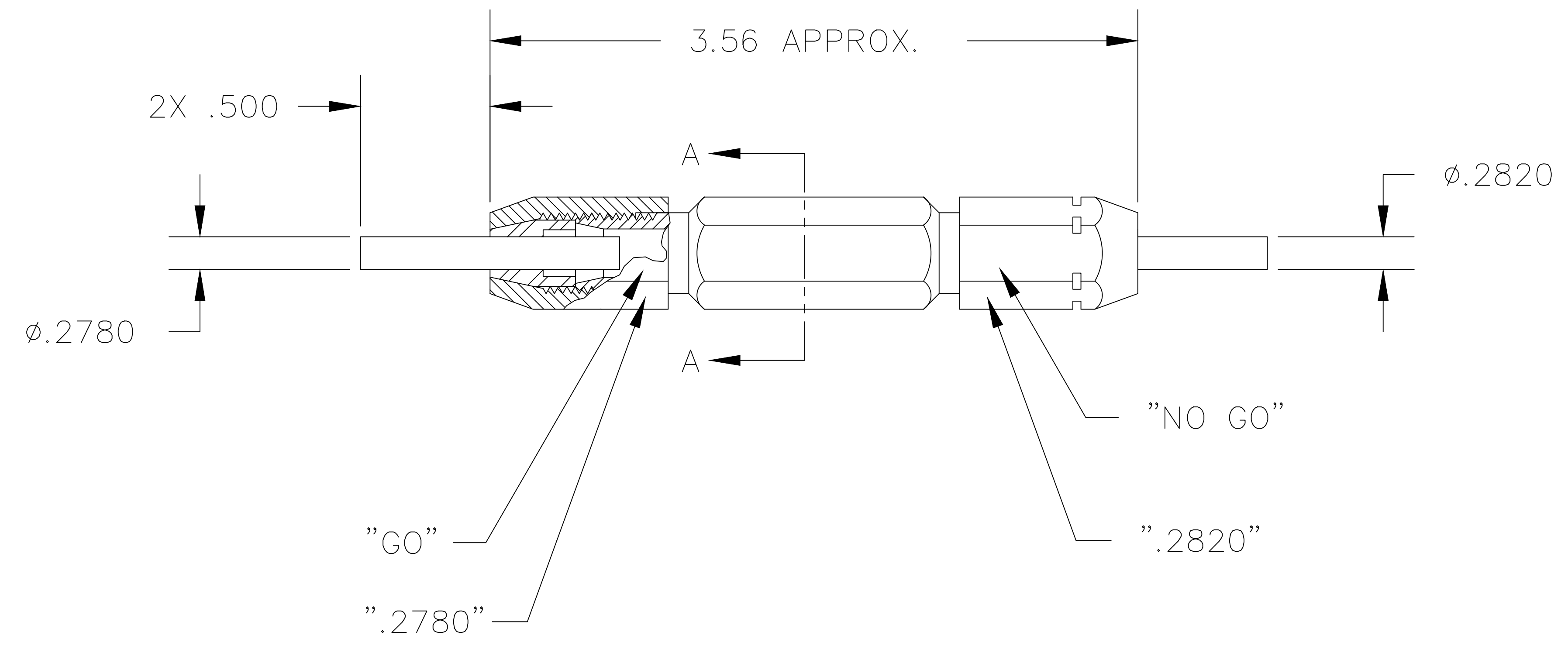



REVISIONS				
REV. SYM.	E.C.O. NUMBER	DESCRIPTION	BY DATE	APP'D DATE
1		ORIGINAL RELEASE	K. KOONS 1.31.11	D. EBY 1.31.11



SECTION A-A



**UNCONTROLLED DOCUMENT
 WILL NOT BE UPDATED**
 DIMENSIONS IN INCHES - UNLESS OTHERWISE SPECIFIED

RESTRICTED & CONFIDENTIAL CONFIDENTIAL PROPERTY OF DANIELS MANUFACTURING CORP. NOT TO BE DISCLOSED TO OTHERS, REPRODUCED OR USED FOR ANY OTHER PURPOSE, EXCEPT AS AUTHORIZED IN WRITING BY DANIELS MANUFACTURING. MUST BE RETURNED TO DANIELS MANUFACTURING CORP. ON COMPLETION OF ORDER OR OTHER PURPOSE FOR WHICH LENT.	MATERIAL	ITEM	PART NO.	QTY.	DESCRIPTION/REMARKS			
	HEAT TREAT	DRN. K. KOONS	DATE 1.31.11		 DANIELS MANUFACTURING CORP. ORLANDO, FLORIDA CAGE 11851			
FINISH	APP'D.	DATE		TITLE				
	DO NOT SCALE DRAWING	CHK'D. D. EBY	DATE 1.31.11		GO/NO-GO GAGE ENVELOPE DRAWING			
		NOTE: THIS DRAWING IS AN OUTLINE DRAWING OF THE RESPECTIVE DMC PART NUMBER INDICATED. ACTUAL DMC PART NUMBER IS DRAWING NUMBER WITHOUT THE "-ENV" SUFFIX.			WHERE USED: Y629			
				SIZE B	SCALE NTS	CAD P/N G435-ENV	SHEET 1	OF 1
				POSTING	DWG. NO. G435-ENV	REV. 1		