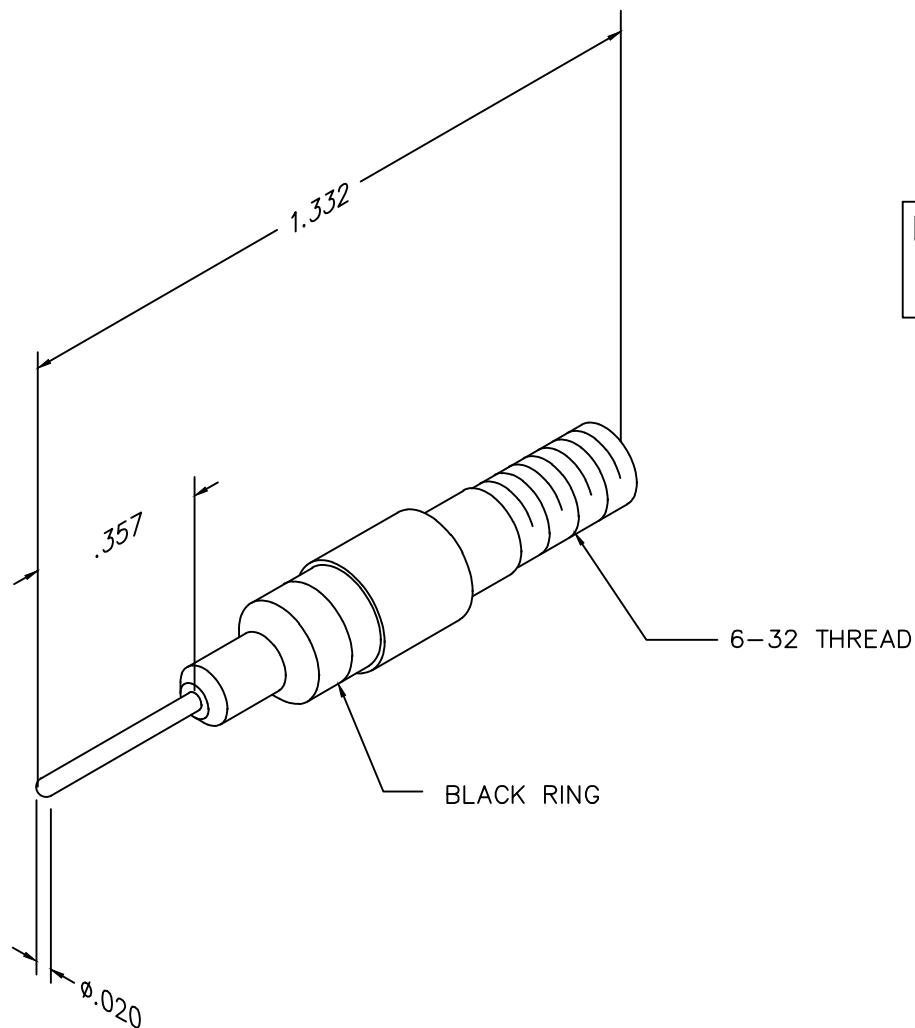


REVISIONS				
REV. SYM.	E.C.O. NUMBER	DESCRIPTION	BY DATE	APP'D DATE
1		ORIGINAL RELEASE	TD 12-30-08	

UNCONTROLLED DOCUMENT
WILL NOT BE UPDATED



RESTRICTED & CONFIDENTIAL CONFIDENTIAL PROPERTY OF DANIELS MANUFACTURING CORP. NOT TO BE DISCLOSED TO OTHERS, REPRODUCED OR USED FOR ANY OTHER PURPOSE, EXCEPT AS AUTHORIZED IN WRITING BY DANIELS MANUFACTURING. MUST BE RETURNED TO DANIELS MANUFACTURING CORP. ON COMPLETION OF ORDER OR OTHER PURPOSE FOR WHICH LENT.	MATERIAL	ITEM	PART NO.	QTY.	DESCRIPTION/REMARKS	
	HEAT TREAT	DRN. <i>Fony Dilworth</i>	DATE 12-30-08	DANIELS MANUFACTURING CORP. ORLANDO, FLORIDA CAGE 11851		
	FINISH	CHK'D.	DATE			
	DO NOT SCALE DRAWING	APP'D.	DATE	TITLE TIP, SOCKET RETENTION TESTER ENVELOPE DRAWING		
		APP'D.	DATE	WHERE USED: SIZE SCALE CAD P/N SHEET OF B NTS 67-024-01S-ENV 1 1		
		NOTE: THIS DRAWING IS AN OUTLINE DRAWING OF THE RESPECTIVE DMC PART NUMBER INDICATED. ACTUAL DMC PART NUMBER IS DRAWING NUMBER WITHOUT THE "-ENV" SUFFIX.		POSTING	DWG. NO. 67-024-01S-ENV	REV. 1