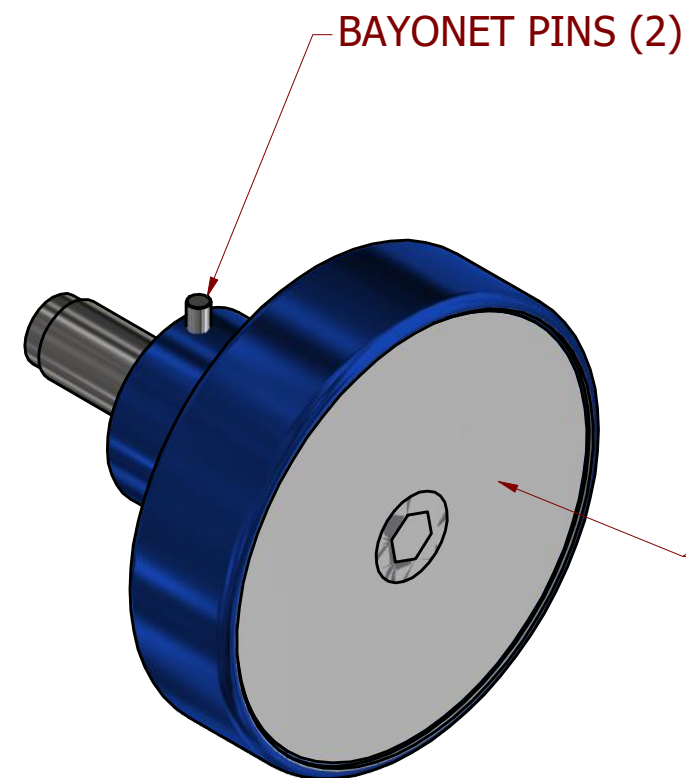
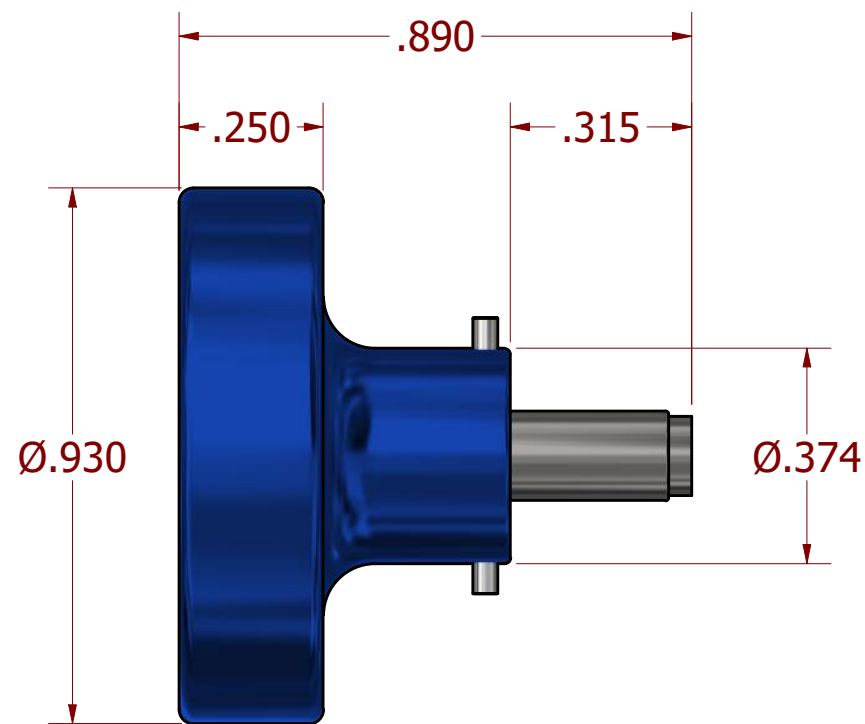


REVISIONS

REV	ECO NO.	DESCRIPTION	BY	DATE	APP'D BY	DATE
1	N/A	ORIGINAL RELEASE	I. GRAFF	01/22/2021		

**UNCONTROLLED DOCUMENT
WILL NOT BE UPDATED**
DIMENSIONS IN INCHES - UNLESS OTHERWISE SPECIFIED



USE WITH CONTACTS		
AMPHENOL		
WIRE SIZE	CONTACT	SEL.
AWG 22-24	612375	3
AWG 26-28	612376	2
USE WITH MH800		

LOCATOR	
HOLE DIMENSIONS	ADDITIONAL FEATURES
Ø.029 ▽.327	└┐Ø.063 ▽.105

MATERIAL	ITEM	PART NO.	QTY.	DESCRIPTION / REMARKS
NA	DRN. I. GRAFF CHK'D. K. KOONS	DATE 9/25/2020 DATE 9/25/2020		DMC DANIELS MANUFACTURING CORP. ORLANDO, FLORIDA CAGE 11851
RESTRICTED & CONFIDENTIAL CONFIDENTIAL PROPERTY OF DANIELS MANUFACTURING CORP. NOT TO BE DISCLOSED TO OTHERS. REPRODUCTION OR USED FOR ANY OTHER PURPOSE EXCEPT AS AUTHORIZED IN WRITING BY DANIELS MANUFACTURING. MUST BE RETURNED TO DANIELS MANUFACTURING CORP. ON COMPLETION OF ORDER OR PURPOSES FOR WHICH LENT.		HEAT TREAT	NA	NOTE: THIS DRAWING IS AN OUTLINE DRAWING OF THE RESPECTIVE DMC PART NUMBER INDICATED. ACTUAL DMC PART NUMBER IS CAD PART NUMBER WITHOUT THE "-ENV" SUFFIX
CREATED FROM AN INVENTOR MODEL. CHANGES MUST BE REFLECTED IN THE 3D PART		FINISH	NA	TITLE POSITIONER ENVELOPE DRAWING WHERE USED: MH800
DO NOT SCALE DRAWING				SIZE B SCALE 3 : 1 CAD P/N K2092-ENV SHEET 1 OF 1 DWG. NO. K2092 REV. 1