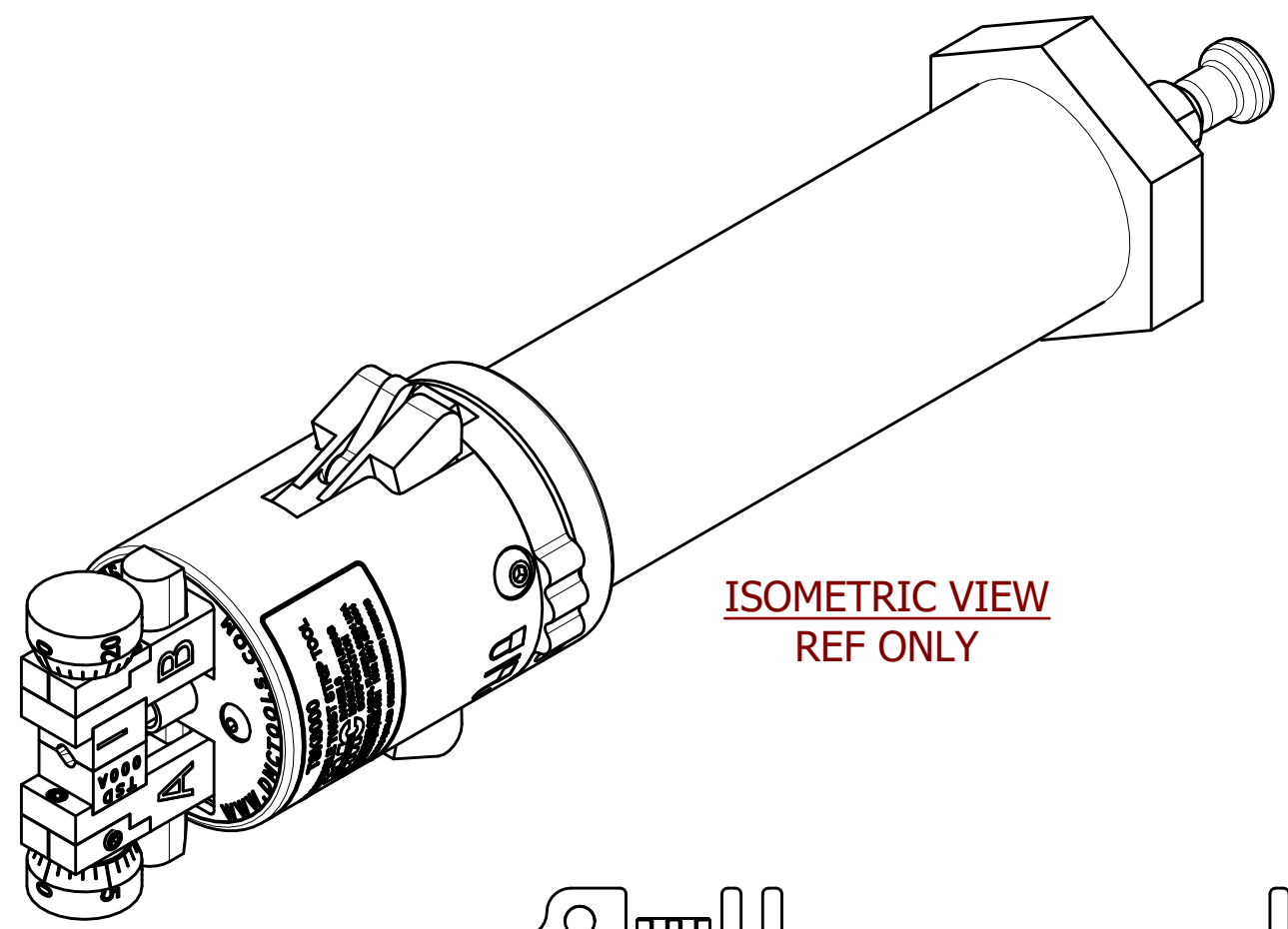
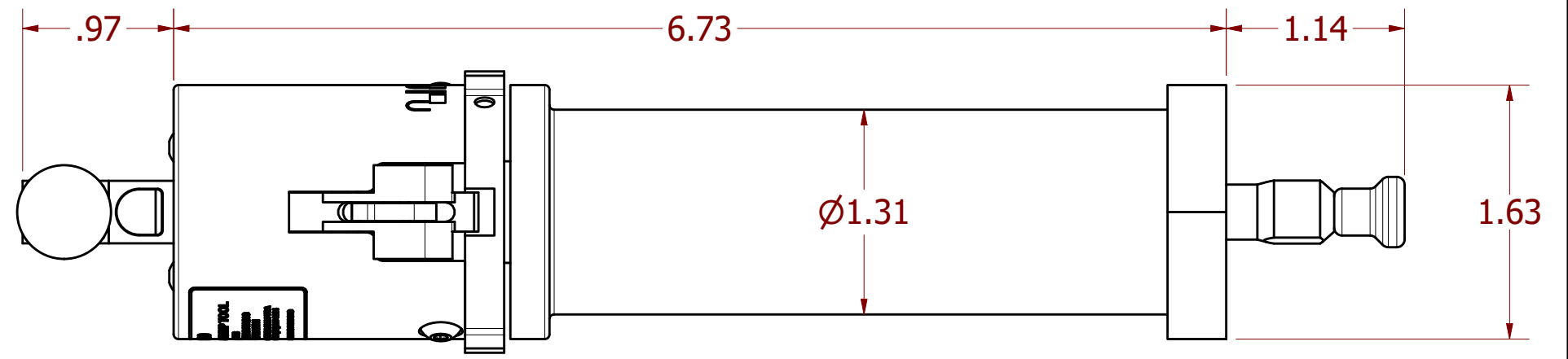


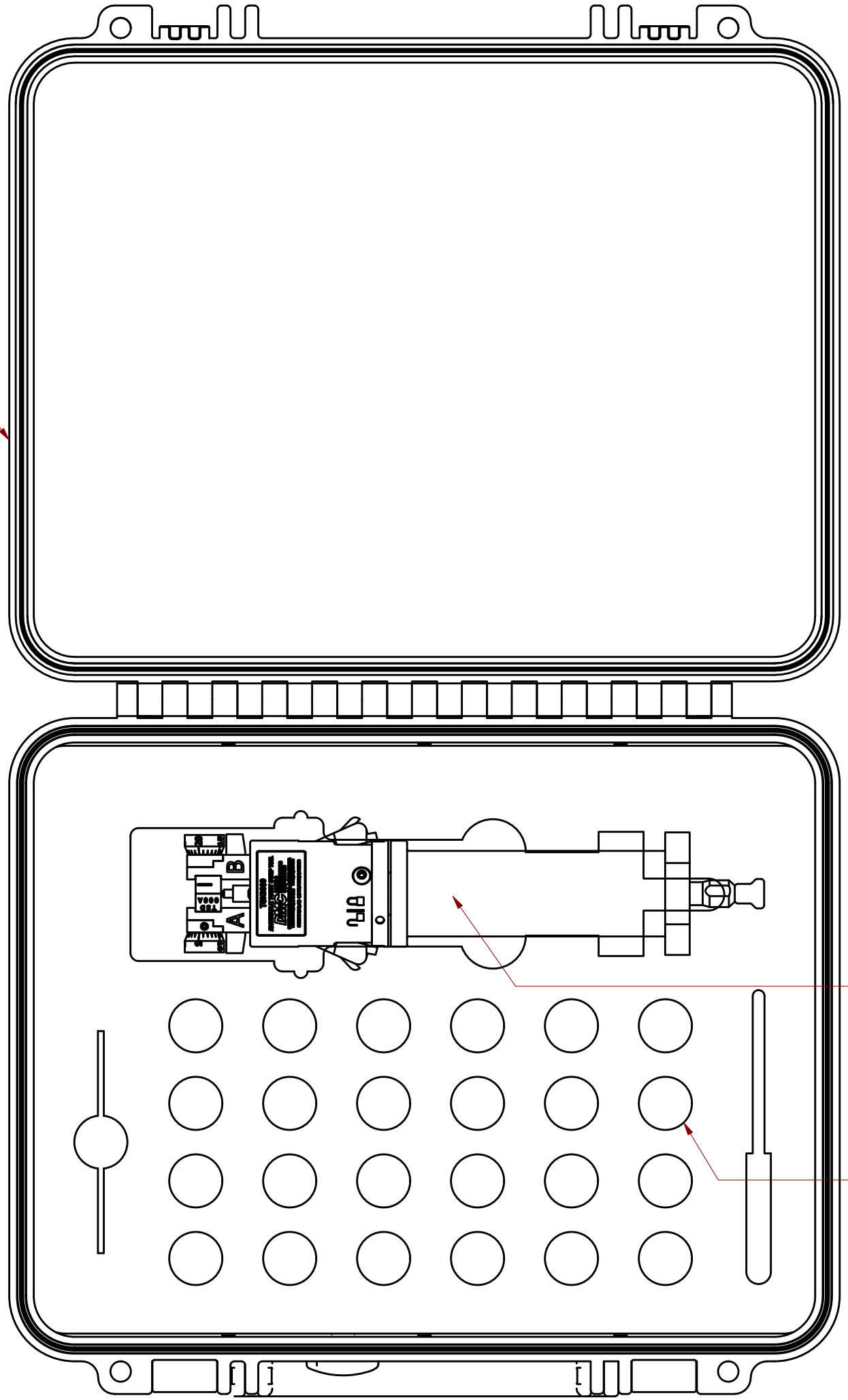
REVISIONS						
REV	ECO NO.	DESCRIPTION	BY	DATE	APP'D BY	DATE
1		ORIGINAL RELEASE	K. KOONS	6/21/2023		



ISOMETRIC VIEW
REF ONLY

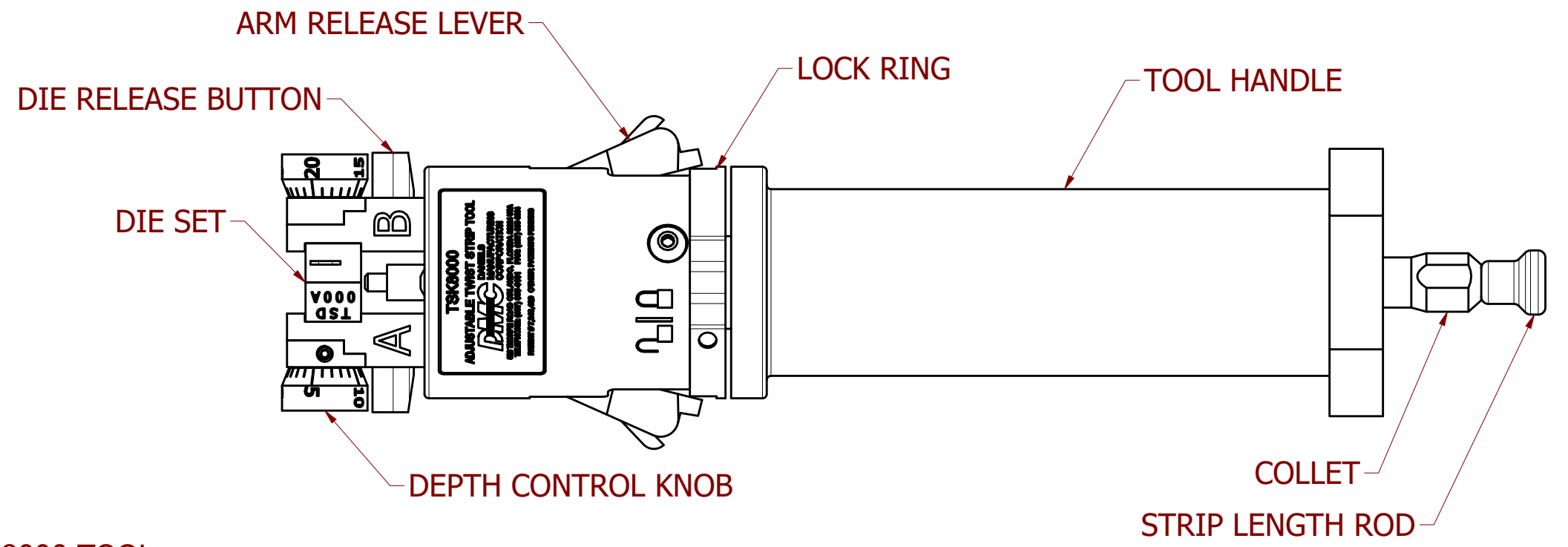


TOOL CASE



TS8000 TOOL

SPARE DIE SET POCKETS



**UNCONTROLLED DOCUMENT
WILL NOT BE UPDATED**
DIMENSIONS IN INCHES - UNLESS OTHERWISE SPECIFIED

RESTRICTED & CONFIDENTIAL
CONFIDENTIAL PROPERTY OF DANIELS MANUFACTURING CORP. NOT TO BE DISCLOSED TO OTHERS. REPRODUCTION OR USED FOR ANY OTHER PURPOSE EXCEPT AS AUTHORIZED IN WRITING BY DANIELS MANUFACTURING. MUST BE RETURNED TO DANIELS MANUFACTURING CORP. ON COMPLETION OF ORDER OR PURPOSES FOR WHICH LENT.

DRN. DANIEL HENDESS	DATE 11/5/2014	INTERPRET PER ASME Y14.5M-2018	
CHK'D K. KOONS	DATE 11/21/2018	DANIELS MANUFACTURING CORP. ORLANDO, FLORIDA CAGE 11851	
APP'D	DATE		
NOTE: THIS DRAWING IS AN OUTLINE DRAWING OF THE RESPECTIVE DMC PART NUMBER INDICATED.		TITLE TWIST STRIP 2.0 ENVELOPE DRAWING	SHEET 1 OF 1
WHERE USED: TSK8000	SIZE C	SCALE N.T.S.	CAD NO. TS8000-ENV
			PART NO. TS8000
			REV. 1