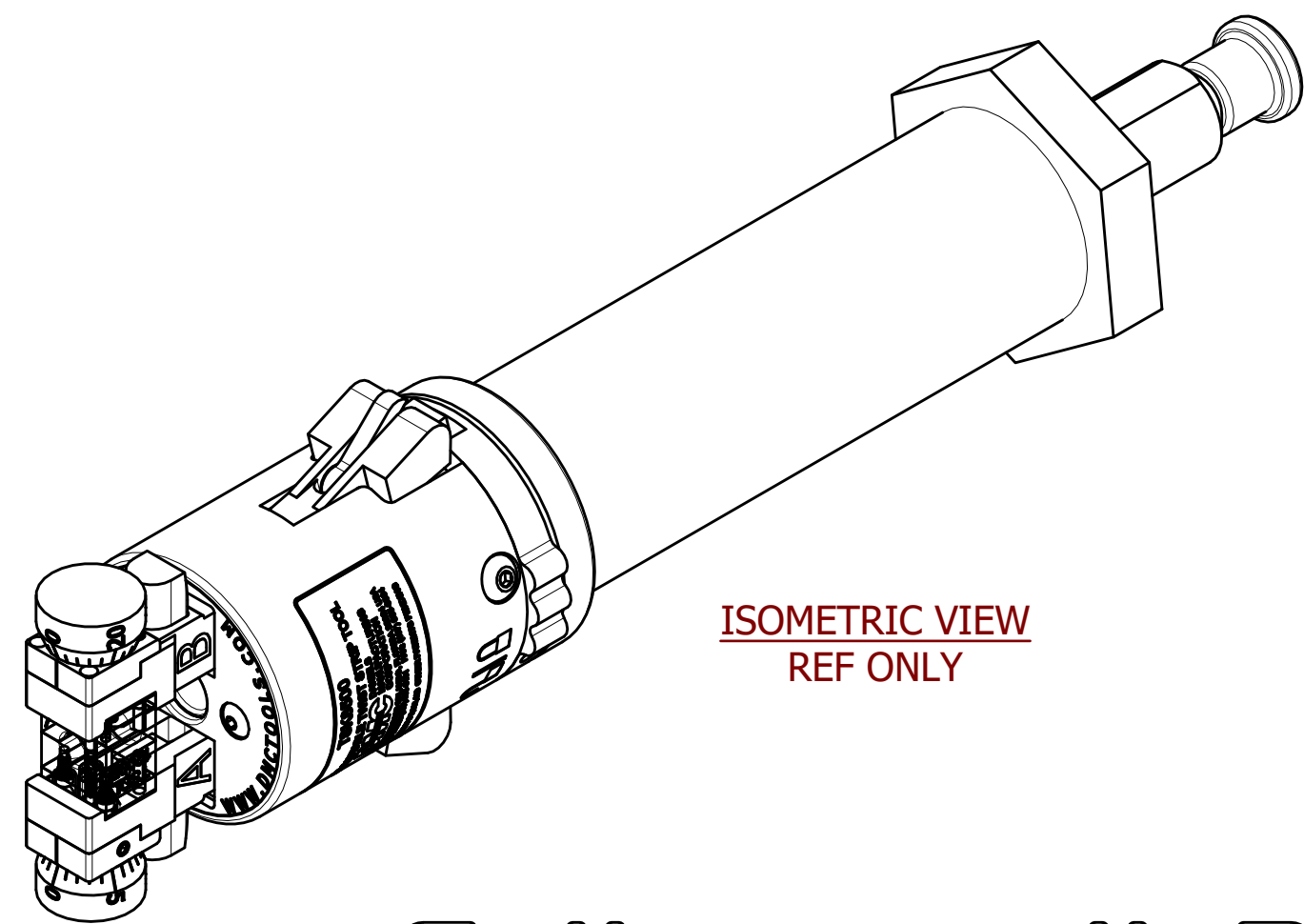
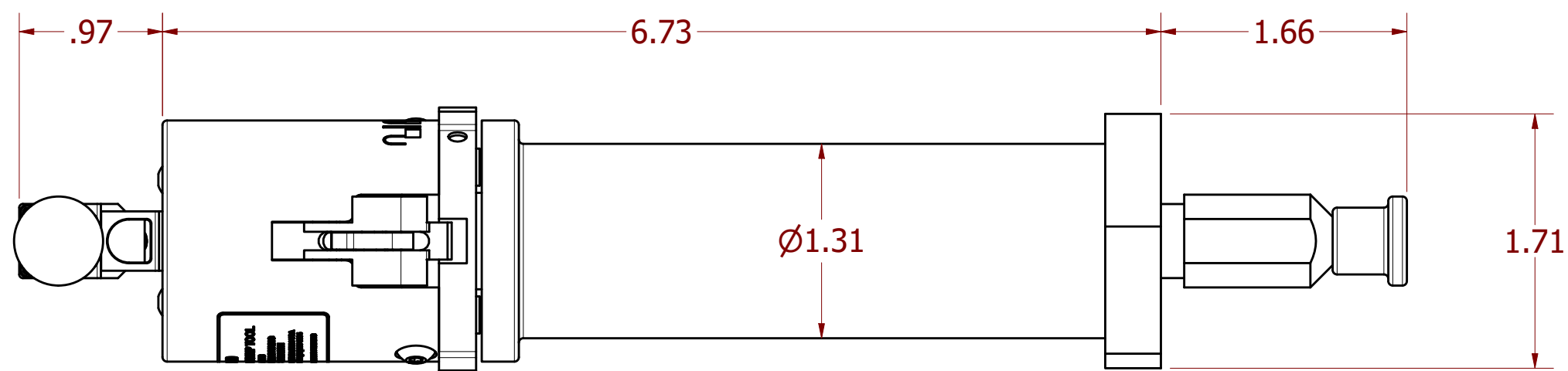


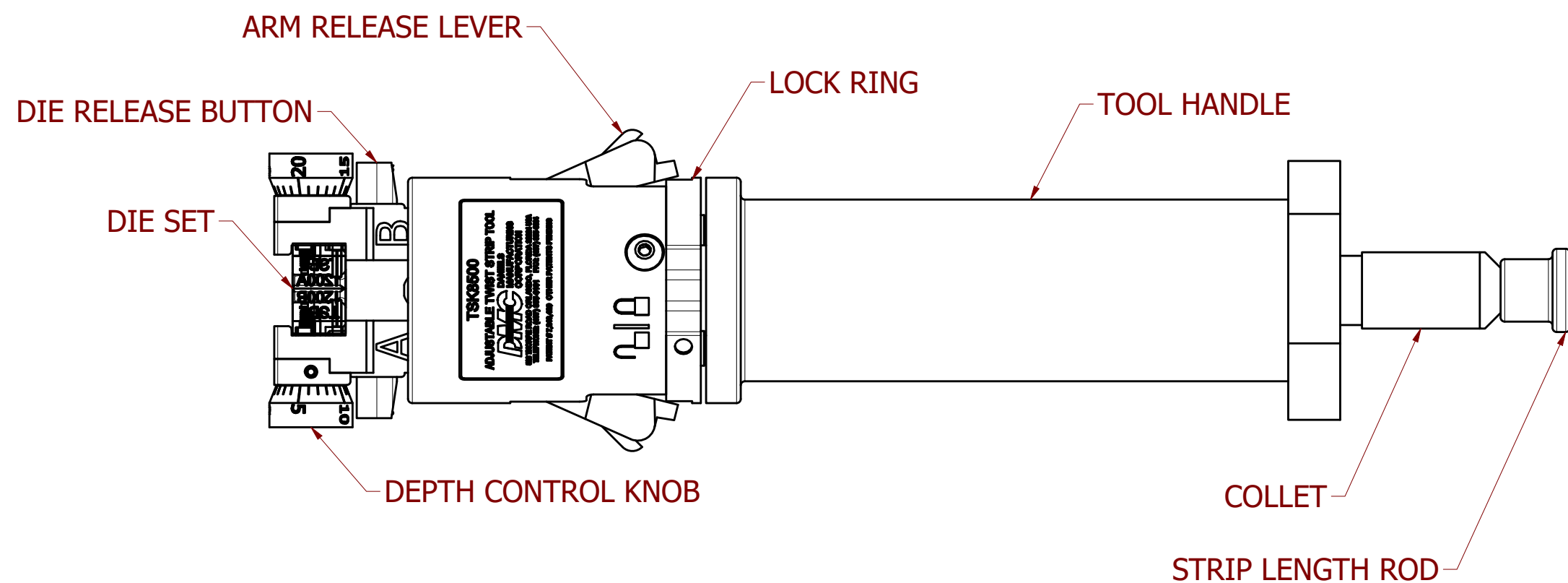
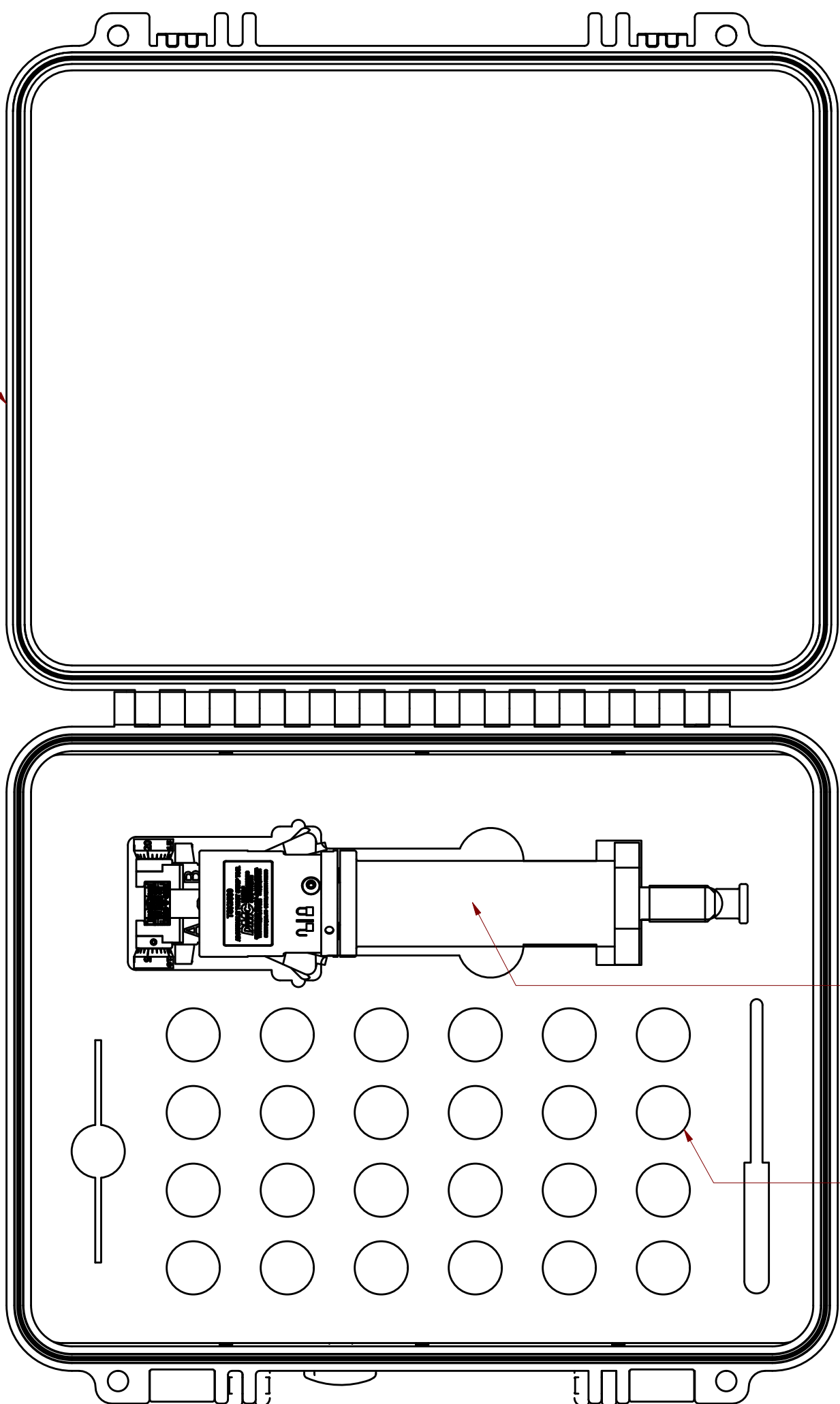
REVISIONS						
REV	ECO NO.	DESCRIPTION	BY	DATE	APP'D BY	DATE
1		ORIGINAL RELEASE	K. KOONS	6/21/2023		



ISOMETRIC VIEW  
REF ONLY



TOOL CASE



TS8500 TOOL

SPARE DIE SET POCKETS

**RESTRICTED & CONFIDENTIAL**  
 CONFIDENTIAL PROPERTY OF DANIELS MANUFACTURING CORP. NOT TO BE DISCLOSED TO OTHERS. REPRODUCTION OR USED FOR ANY OTHER PURPOSE EXCEPT AS AUTHORIZED IN WRITING BY DANIELS MANUFACTURING. MUST BE RETURNED TO DANIELS MANUFACTURING CORP. ON COMPLETION OF ORDER OR PURPOSES FOR WHICH LENT.

DRN. DANIEL HENDESS	DATE 5/25/2018	INTERPRET PER ASME Y14.5M-2018	
CHK'D K. KOONS	DATE 5/25/2018	DANIELS MANUFACTURING CORP. ORLANDO, FLORIDA CAGE 11851	
APP'D	DATE		
NOTE: THIS DRAWING IS AN OUTLINE DRAWING OF THE RESPECTIVE DMC PART NUMBER INDICATED.		TITLE LARGE TWIST STRIP TOOL ENVELOPE DRAWING	SHEET 1 OF 1
WHERE USED: TSK8500	SIZE C	SCALE N.T.S.	CAD NO. TS8500-ENV
			PART NO. TS8500
			REV. 1