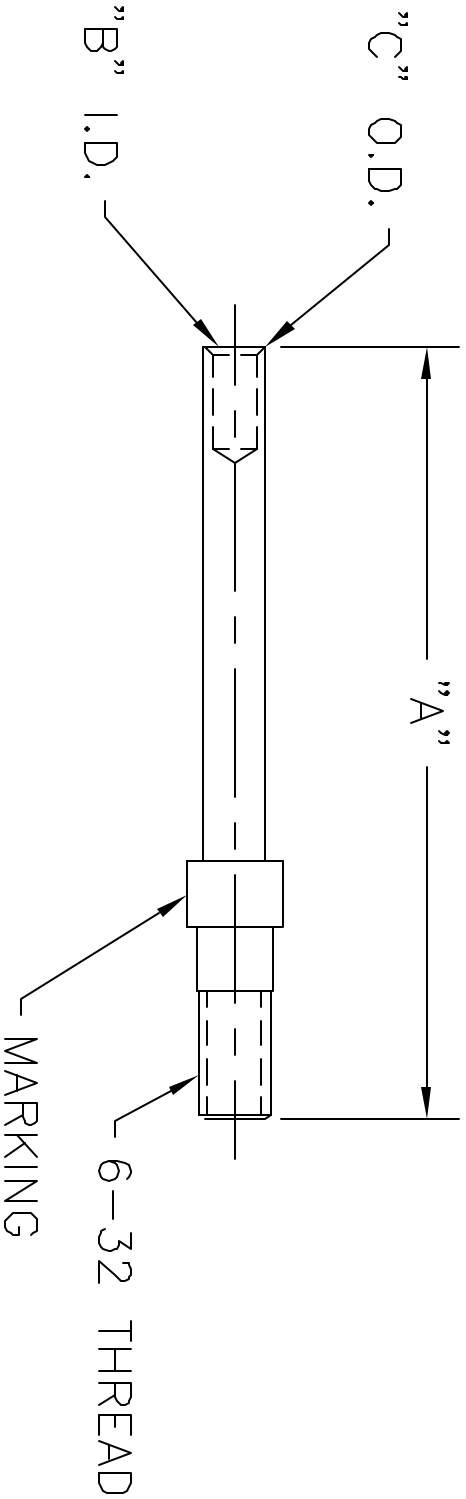


REVISIONS				
REV. SYM.	EQCA NUMBER	DESCRIPTION	BY DATE	APPRD DATE
1		ORIGINAL RELEASE	JML 12/23/02	RSS 12/23/02



66-04-010	-	1.50	.087	.121	COAX F
66-04-008	12	1.85	.101	.160	12M
66-04-006	16	1.85	.073	.125	16M
66-04-004	20	1.85	.047	.095	20M
66-04-002	22	1.85	.037	.095	22M
P/N	TIP SIZE	"A"	"B"	"C"	MARKING

RESTRICTED & CONFIDENTIAL		MATERIAL		ITEM		PART NO.		QTY.		DESCRIPTION/REMARKS	
CONFIDENTIAL PROPERTY OF DANIELS MANUFACTURING CORP. NOT TO BE DISCLOSED TO OTHERS, REPRODUCED OR USED FOR ANY OTHER PURPOSE, EXCEPT AS SPECIFICALLY AUTHORIZED BY DANIELS MANUFACTURING CORP. IN COMPLETION OF ORDER OR OTHER PURPOSE FOR WHICH INT.		HEAT TREAT		DAN, J. JOYCE		DATE		P/MO		DANIELS MANUFACTURING CORP. ORLANDO, FLORIDA CASE 11951	
		FINISH		CHK'D. RRR		DATE		APPRD.		TITLE	
DO NOT SCALE DRAWING										PLUNGER TIP PIN ENVELOPE DRAWING	

**UNCONTROLLED DOCUMENT
WILL NOT BE UPDATED**

SIZE	SCALE	CAD P/N	SHEET	OF
B	N/S	66-04-XXX-ENV	1	1
POSTING		P/N		REV.
		66-04-XXX-ENV		1