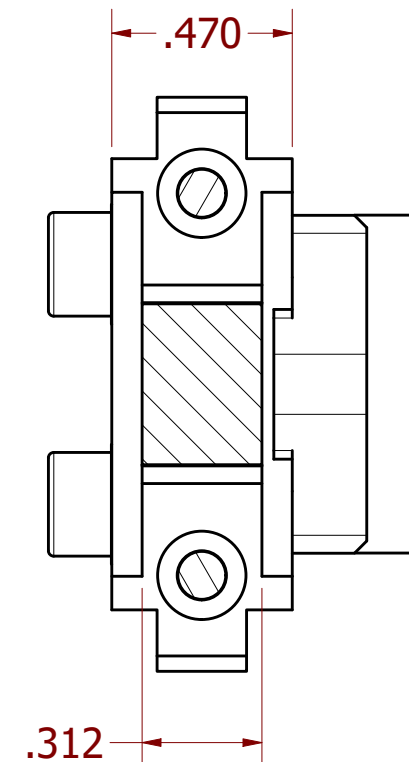
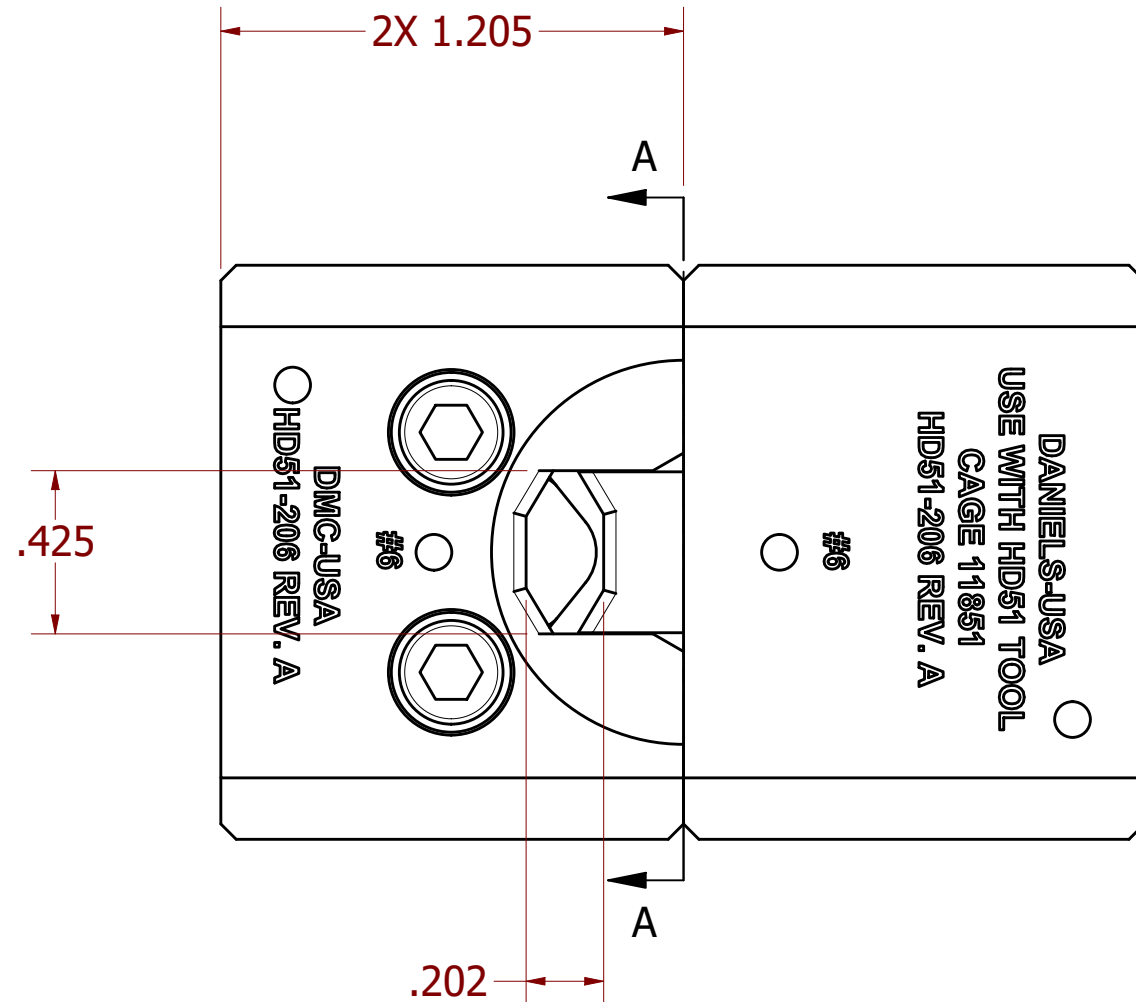
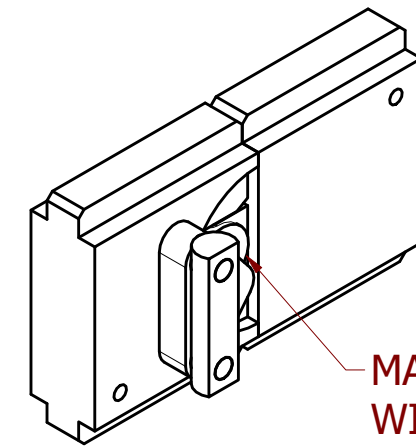
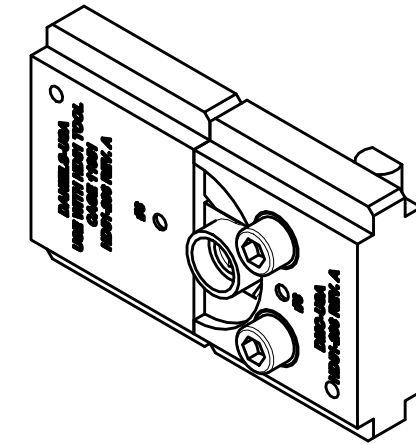


REVISIONS

REV	ECO NO.	DESCRIPTION	BY	DATE	APP'D BY	DATE
1		ORIGINAL RELEASE	K. KOONS	4/6/2023		



SECTION A-A
SCALE 2 : 1




MATING END OF
WIRE BARREL
GOES AGAINST
TERMINAL STOP

**UNCONTROLLED DOCUMENT
WILL NOT BE UPDATED**

DIMENSIONS IN INCHES - UNLESS OTHERWISE SPECIFIED

NOTES:

RESTRICTED & CONFIDENTIAL
CONFIDENTIAL PROPERTY OF DANIELS MANUFACTURING CORP. NOT TO BE DISCLOSED TO OTHERS. REPRODUCTION OR USED FOR ANY OTHER PURPOSE EXCEPT AS AUTHORIZED IN WRITING BY DANIELS MANUFACTURING. MUST BE RETURNED TO DANIELS MANUFACTURING CORP. ON COMPLETION OF ORDER OR PURPOSES FOR WHICH LENT.

DRN. KIRK C KOONS	DATE 1/12/2023	INTERPRET PER ASME Y14.5M-2018	
CHK'D JC	DATE 1/12/2023	 DANIELS MANUFACTURING CORP. ORLANDO, FLORIDA CAGE 11851	
APP'D JC	DATE 1/12/2023		
NOTE: THIS DRAWING IS AN OUTLINE DRAWING OF THE RESPECTIVE DMC PART NUMBER INDICATED.		TITLE DIE, #6 INSULATED Cu ENVELOPE DRAWING	
WHERE USED:		SIZE	SHEET
		B	1 OF 1
		SCALE	REV.
		N.T.S.	1
		CAD NO. HD51-206-ENV	PART NO. HD51-206