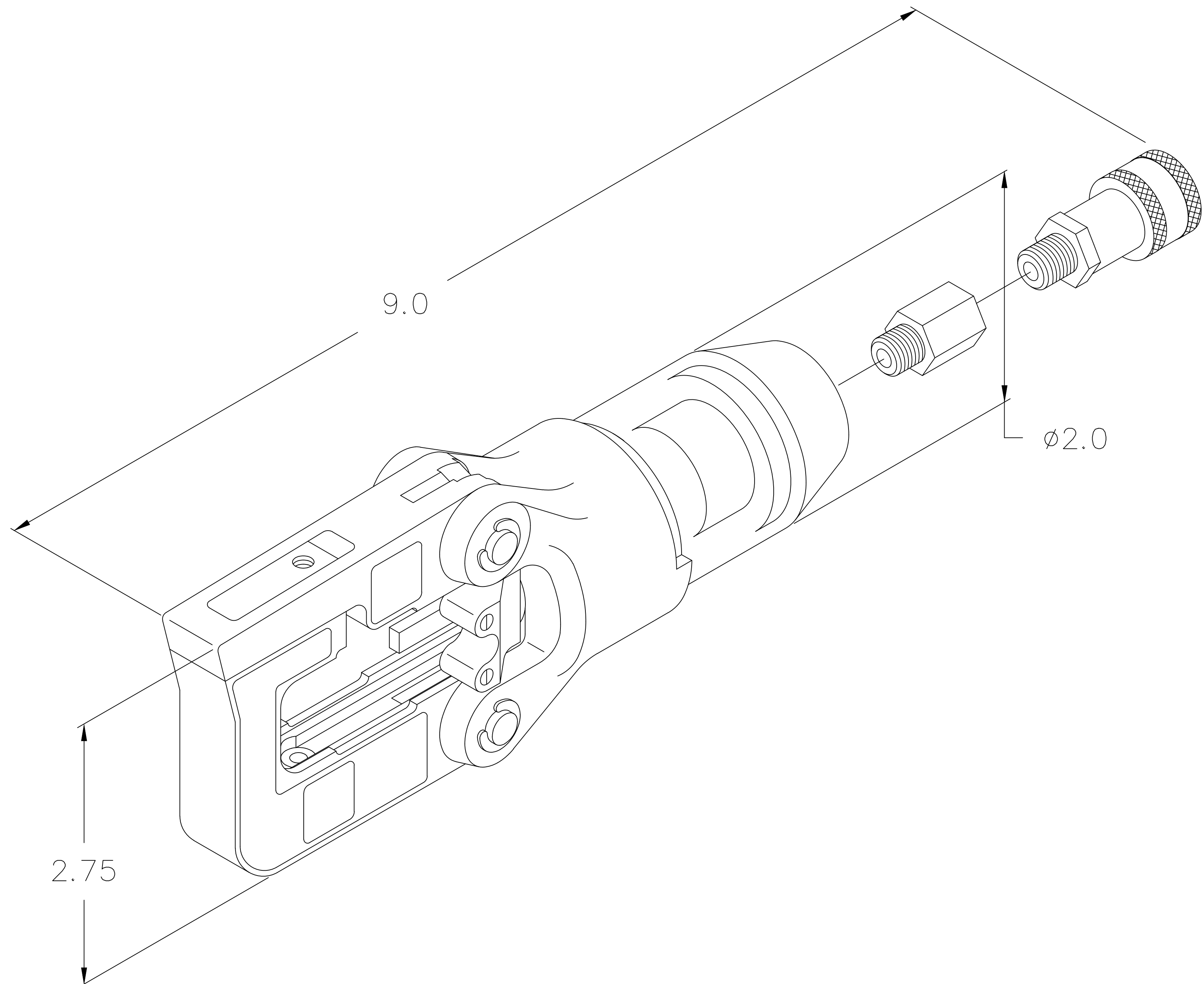


REVISIONS				
REV. SYM.	E.C.O. NUMBER	DESCRIPTION	BY DATE	APP'D DATE
1		ORIGINAL RELEASE	TD 04-22-05	RRR 04-22-05



**UNCONTROLLED DOCUMENT
WILL NOT BE UPDATED**

<p><u>RESTRICTED & CONFIDENTIAL</u></p> <p>CONFIDENTIAL PROPERTY OF DANIELS MANUFACTURING CORP. NOT TO BE DISCLOSED TO OTHERS, REPRODUCED OR USED FOR ANY OTHER PURPOSE, EXCEPT AS AUTHORIZED IN WRITING BY DANIELS MANUFACTURING. MUST BE RETURNED TO DANIELS MANUFACTURING CORP. ON COMPLETION OF ORDER OR OTHER PURPOSE FOR WHICH LENT.</p>	MATERIAL	<table border="1"> <tr> <td>ITEM</td> <td>PART NO.</td> <td>QTY.</td> <td>DESCRIPTION/REMARKS</td> </tr> <tr> <td>DRN. <i>Tony Dilworth</i></td> <td>DATE 04-22-05</td> <td rowspan="4" style="text-align: center; vertical-align: middle;"> DANIELS MANUFACTURING CORP. ORLANDO, FLORIDA CAGE 11851 </td> </tr> <tr> <td>CHK'D. JWJ</td> <td>DATE 04-22-05</td> </tr> <tr> <td>APP'D.</td> <td>DATE</td> </tr> <tr> <td>APP'D.</td> <td>DATE</td> </tr> </table>	ITEM	PART NO.	QTY.	DESCRIPTION/REMARKS	DRN. <i>Tony Dilworth</i>	DATE 04-22-05	 DANIELS MANUFACTURING CORP. ORLANDO, FLORIDA CAGE 11851	CHK'D. JWJ	DATE 04-22-05	APP'D.	DATE	APP'D.	DATE
	ITEM		PART NO.	QTY.	DESCRIPTION/REMARKS										
	DRN. <i>Tony Dilworth</i>	DATE 04-22-05	 DANIELS MANUFACTURING CORP. ORLANDO, FLORIDA CAGE 11851												
	CHK'D. JWJ	DATE 04-22-05													
APP'D.	DATE														
APP'D.	DATE														
HEAT TREAT	NOTE: THIS DRAWING IS AN OUTLINE DRAWING OF THE RESPECTIVE DMC PART NUMBER INDICATED. ACTUAL DMC PART NUMBER IS DRAWING NUMBER WITHOUT THE "-ENV" SUFFIX.	TITLE HYDRAULIC CRIMP HEAD ENVELOPE DRAWING													
FINISH	WHERE USED:	<table border="1"> <tr> <td>SIZE B</td> <td>SCALE NTS</td> <td>CAD P/N XHD51-ENV</td> <td>SHEET 1</td> <td>OF 1</td> </tr> <tr> <td colspan="2">POSTING</td> <td>DWG No XHD51-ENV</td> <td>REV. 1</td> <td></td> </tr> </table>	SIZE B	SCALE NTS	CAD P/N XHD51-ENV	SHEET 1	OF 1	POSTING		DWG No XHD51-ENV	REV. 1				
SIZE B	SCALE NTS	CAD P/N XHD51-ENV	SHEET 1	OF 1											
POSTING		DWG No XHD51-ENV	REV. 1												
DO NOT SCALE DRAWING															