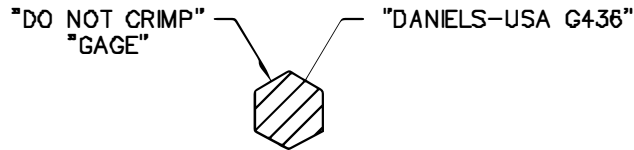
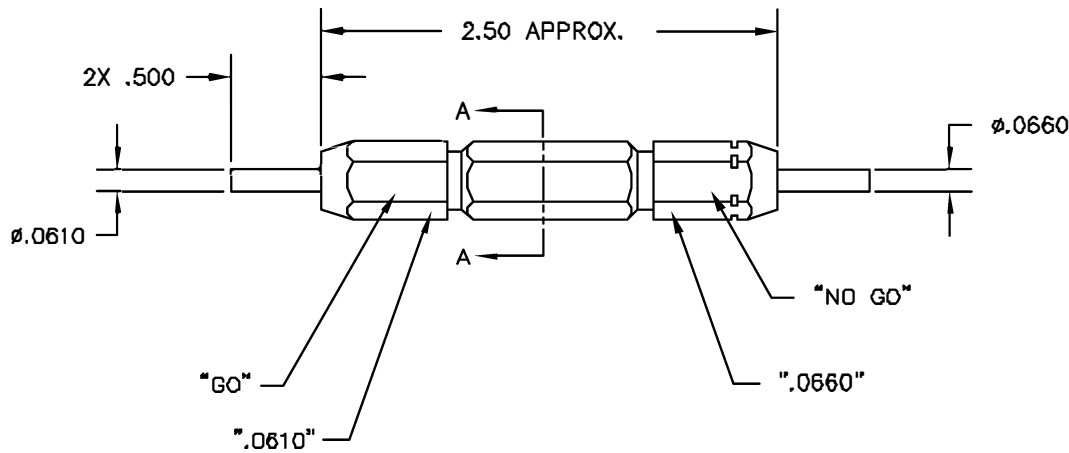



REVISIONS				
REV. SYN.	E.C.D. NUMBER	DESCRIPTION	BY DATE	APPD DATE
1		ORIGINAL RELEASE	JWB 2/28/88	RRR 3/6/88



SECTION A-A



**UNCONTROLLED DOCUMENT
WILL NOT BE UPDATED**

RESTRICTED & CONFIDENTIAL CONFIDENTIAL PROPERTY OF DANIELS MANUFACTURING CORP. NOT TO BE DISCLOSED TO OTHERS, REPRODUCED OR USED FOR ANY OTHER PURPOSE EXCEPT AS AUTHORIZED IN WRITING BY DANIELS MANUFACTURING. MUST BE RETURNED TO DANIELS MANUFACTURING CORP. ON COMPLETION OF ORDER OR OTHER PURPOSE FOR WHICH LENT. DO NOT SCALE DRAWING	MATERIAL	ITEM	PART NO.	QTY.	DESCRIPTION/REMARKS
	HEAT TREAT	DRN	JWS	DATE 2/28/88	 DANIELS MANUFACTURING CORP. ORLANDO, FLORIDA GAGE 11851
	FINISH	CHK'D.	MCS	DATE 3/4/88	
		APP'D.	RRR	DATE 3/6/88	
	APP'D.		DATE		
		TITLE GO/NO-GO GAGE ENVELOPE DRAWING			
		WHERE USED: M309, M310			
		SIZE	SCALE	END P/N	SHEET 1 OF 1
		B	NTS	G436-ENV	
		POSTING		P/N	REV. 1
				G436-ENV	